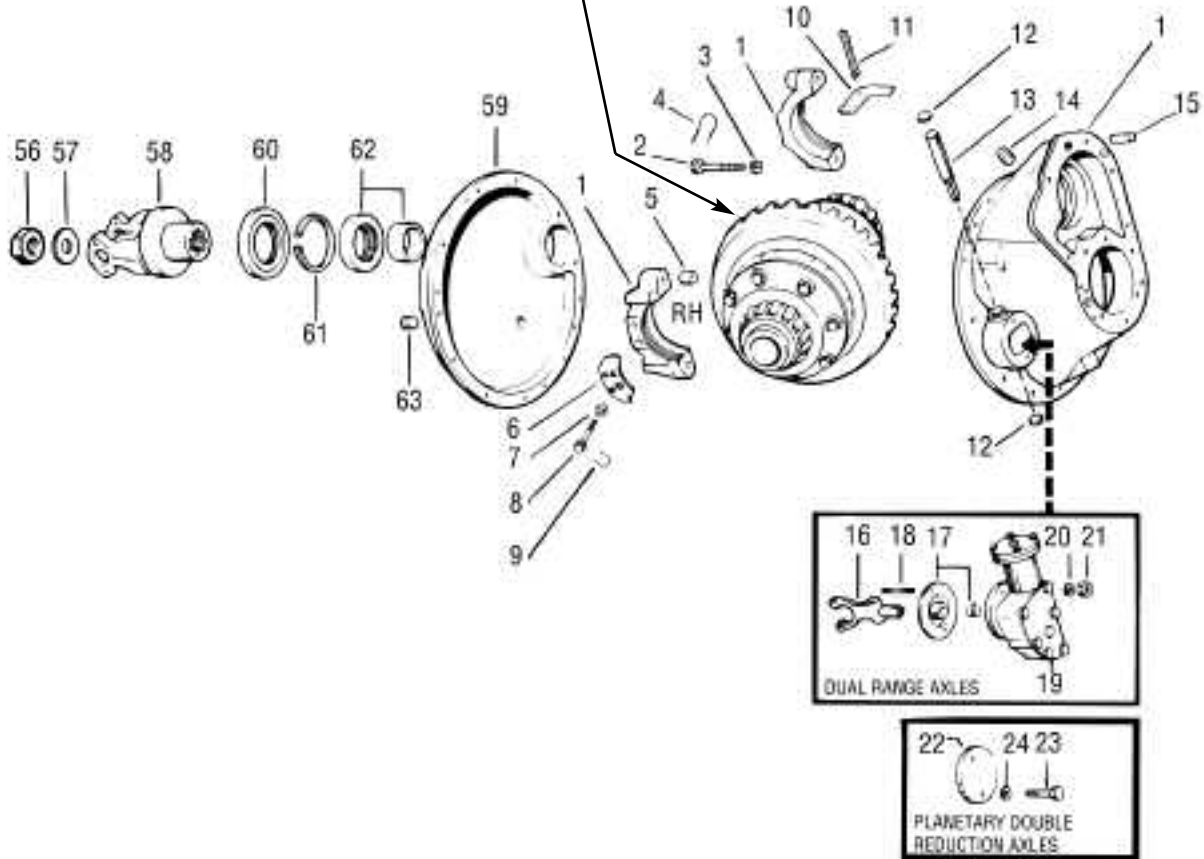
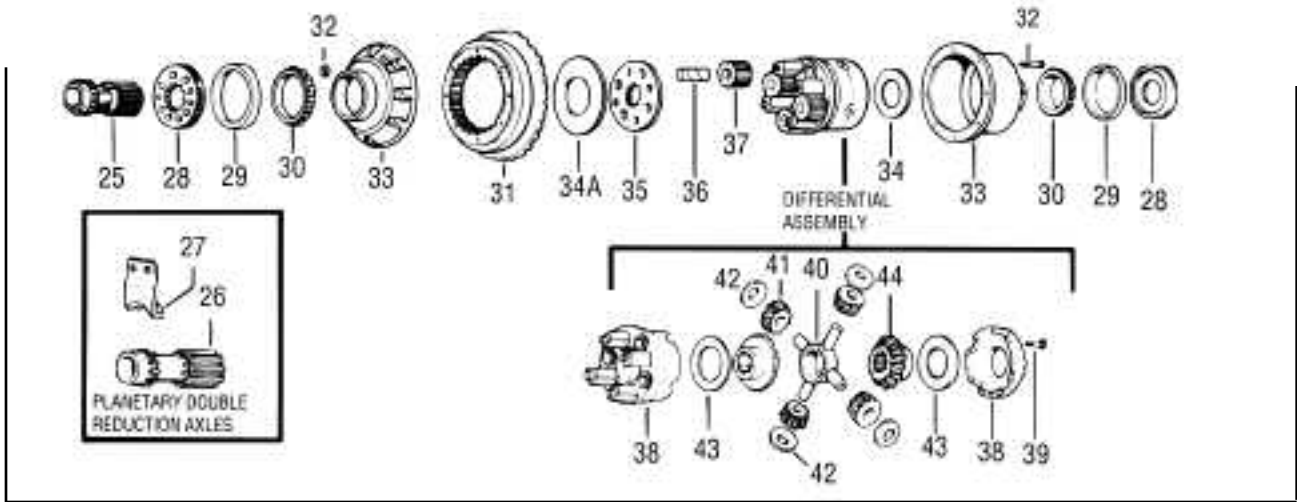


EATON®

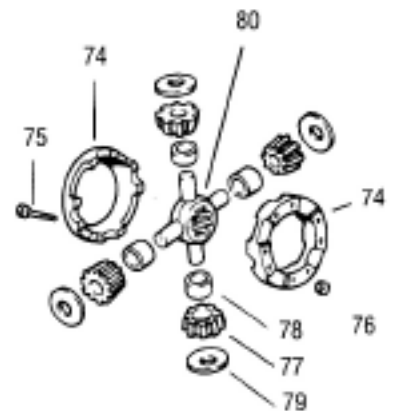
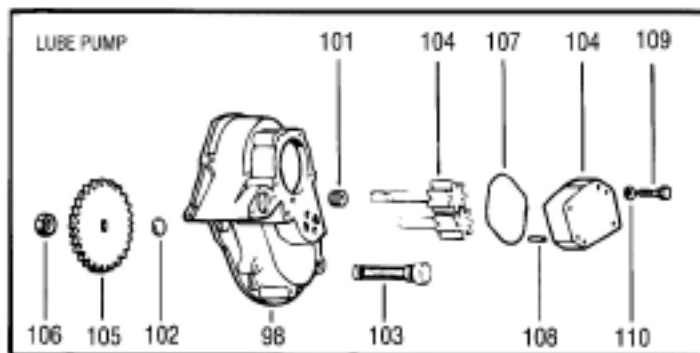
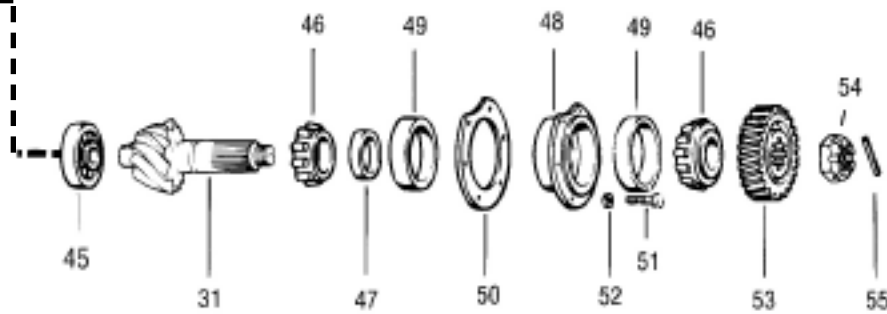
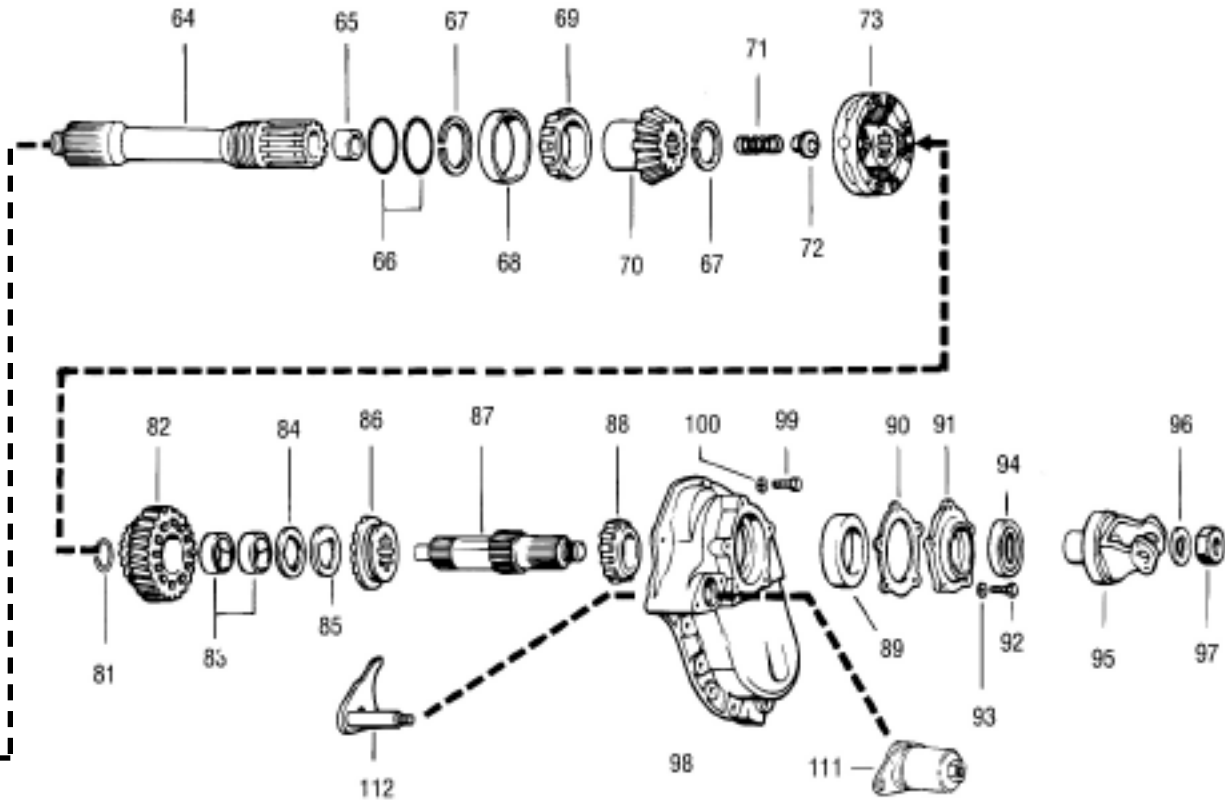
MODELS: DT/DP340, DT/DP341, DT/DP380(P), DT/DP381(P), DT/DP400-P, DT/DP401-P, DT/DP402(P), DT/DP451-P, 34DT/DP, 38DT/DP



PARTS LISTED IN THIS CATALOG ARE NOT NECESSARILY MANUFACTURED BY THE ORIGINAL EQUIPMENT MANUFACTURER AND ANY REFERENCE TO THE TRADEMARKS OR PART NUMBERS OF OTHERS ARE FOR CROSS REFERENCE INFORMATIONAL PURPOSES ONLY. THE TRADEMARKS OF OTHERS REFERRED TO HEREIN ARE OWNED BY THEIR RESPECTIVE COMPANIES AND ARE NOT AFFILIATED IN ANY WAY WITH MIDWEST TRUCK & AUTO PARTS, INC.® MOTIVE GEAR® AND WORLD AMERICAN® ARE THE REGISTERED TRADEMARKS OF MIDWEST TRUCK & AUTO PARTS, INC.® USE OF THE ® IN CONNECTION WITH A MARK OF MIDWEST TRUCK & AUTO PARTS, INC.® INDICATES THAT THE MARK IS REGISTERED IN AT LEAST THE UNITED STATES. NO REPRESENTATION IS MADE WITH RESPECT TO THE SOURCE OF MANUFACTURE OF ANY PARTICULAR PART. © 2005, MIDWEST TRUCK & AUTO PARTS, INC.® ALL RIGHTS RESERVED.

EATON®

MODELS: DT/DP340, DT/DP341, DT/DP380(P), DT/DP381(P), DT/DP400-P, DT/DP401-P, DT/DP402(P), DT/DP451-P, 34DT/DP, 38DT/DP (Cont'd)



PARTS LISTED IN THIS CATALOG ARE NOT NECESSARILY MANUFACTURED BY THE ORIGINAL EQUIPMENT MANUFACTURER AND ANY REFERENCE TO THE TRADEMARKS OR PART NUMBERS OF OTHERS ARE FOR CROSS REFERENCE INFORMATIONAL PURPOSES ONLY. THE TRADEMARKS OF OTHERS REFERRED TO HEREIN ARE OWNED BY THEIR RESPECTIVE COMPANIES AND ARE NOT AFFILIATED IN ANY WAY WITH MIDWEST TRUCK & AUTO PARTS, INC.® MOTIVE GEAR® AND WORLD AMERICAN® ARE THE REGISTERED TRADEMARKS OF MIDWEST TRUCK & AUTO PARTS, INC.® USE OF THE ® IN CONNECTION WITH A MARK OF MIDWEST TRUCK & AUTO PARTS, INC.® INDICATES THAT THE MARK IS REGISTERED IN AT LEAST THE UNITED STATES. NO REPRESENTATION IS MADE WITH RESPECT TO THE SOURCE OF MANUFACTURE OF ANY PARTICULAR PART. © 2005, MIDWEST TRUCK & AUTO PARTS, INC.® ALL RIGHTS RESERVED.

EATON®

MODELS: DT/DP340, DT/DP341, DT/DP380(P), DT/DP381(P), DT/DP400-P, DT/DP401-P,
DT/DP402(P), DT/DP451-P, 34DT/DP, 38DT/DP

ITEM NO.	PART NAME	QTY	DT/DP341 DT/DP381(P) DT/DP402(P) DT/DP401-P DT/DP451-P			DT/DP340 DT/DP380(P) 34DT/DP DT/DP400-P 38DT/DP		REMARKS	
			RA207R	RA193R	RA64FER				
	Bearing, Seal & Gasket Kit	1	RA207R	RA193R	RA64FER				
1	Diff. Carrier & Bearing Cap Kit Carrier Casting No. (NSS)	1	115825 110816	120926 110816	120925 110816				
2	Bearing Capscrew	4	32732	32732	32732				
3	Flat Washer	4	32912	32912	32912				
4	Lockwire	4	90538	90538	90538				
5	Dowel Bushing	2	32730	32730	32730				
6	Bearing Adjuster Lock (RH)	1	37745	37745	37745				
7	Adjuster Lock Dowel Bushing (RH)	2	37746	37746	37746				
8	Capscrew (RH)	2	37747	37747	37747				
9	Lockwire	2	12563	12563	12563				
10	Bearing Adjuster Lock (LH)	1	13377	13377	13377				
11	Cotter Pin (LH)	1	90873	90873	90873				
12	Expansion Plug (Upper) Expansion Plug (Lower)	1 1	30703 9797	30703 9797	30703 9797				
13	Shift Fork Shaft & "O" Ring Assy	1	113801	113801	113801				
14	Filler Plug	1	90325	90325	90325				
15	Carrier Cover Dowel Pin	2	7641	7641	7641				
16	Shift Fork & Roller Assy	1	32613	32613	32613				
17	Shift Fork Seal & Spring Assy	1	119855	119855	119855			DT ONLY	
18	Shift Unit Mounting Stud	2	119863	119863	119863			DT ONLY	
19	Shift Unit Assy	1	73503	7303	73503			DT ONLY	
20	Lockwasher	1	119857	119857	119857			DT ONLY	
21	Stud Nut	2	63028	63028	63028			DT ONLY	
22	Shift Unit Opening Cover	1	45521	45521	45521			DP ONLY	
23	Capscrew	2	20807	20807	20807			DP ONLY	
24	Lockwasher	2	90415	90415	90415			DP ONLY	
25	Sliding Clutch Gear	1	113596	113596	113596			DT ONLY 60808 SLIDING CLUTCH KIT	
26	Sun Gear	1	113598	113598	113598			DP ONLY	
27	Sun Gear Retainer	1	43178	43178	43178			DP ONLY	
28	Diff. Bearing Adjuster (RH) Diff. Bearing Adjuster (LH)	1 1	56932 110243	56932 27842	56932 27842			60608 SLIDING CLUTCH KIT	
29	Diff. Bearing Cup (RH) Diff. Bearing Cup (LH)	1 1	56650 493	56650 493	56650 493				
30	Diff. Bearing Cone (RH) Diff. Bearing Cone (LH)	1 2	56425 497	56425 497	56425 497				
31	RING GEAR & DRIVE PINION SET Includes Item 54-55		MATCHED PARTS: (SEE SEPARATE LISTING ON PAGE 61)						
32	RING GEAR BOLT & NUT KIT	1	87955	87955	87966				
	Bolt	8	44358	44358	44358				
	Nut	8	60599	60599	60599				
33	Gear Support Case (RH) Gear Support Case (LH)	1 1	27838 110148	27838 116568	27838 116568			116568 replaces 27839 & 27842	
34	Gear Support Thrust Washer	1	43270	43270	43270				
34A	Gear Support Thrust Washer	1	27827	27827	27827				
35	High-Speed Clutch Plate	1	56931	56931	56931			60608 SLIDING CLUTCH KIT	
36	Idler Pinion Pin	4	27861	27861	27861				
37	Idler Pinion	4	27835	27835	27835				
	WHEEL DIFF. CASE KIT Includes Items 38-39	1	101878	101878	101878				
38	Diff. Case w/Clutch Plate Pin (Casting 96278)	1	98182	98182	98182			Flange Half	
	Diff. Case (RH) (NSS)	1	96279	96279	96279			Plain Half	
39	Diff. Case Capscrew	8	96283	96283	96283				

NSS = Not Sold Separately

PARTS LISTED IN THIS CATALOG ARE NOT NECESSARILY MANUFACTURED BY THE ORIGINAL EQUIPMENT MANUFACTURER AND ANY REFERENCE TO THE TRADEMARKS OR PART NUMBERS OF OTHERS ARE FOR CROSS REFERENCE INFORMATIONAL PURPOSES ONLY. THE TRADEMARKS OF OTHERS REFERRED TO HEREIN ARE OWNED BY THEIR RESPECTIVE COMPANIES AND ARE NOT AFFILIATED IN ANY WAY WITH MIDWEST TRUCK & AUTO PARTS, INC.® MOTIVE GEAR® AND WORLD AMERICAN® ARE THE REGISTERED TRADEMARKS OF MIDWEST TRUCK & AUTO PARTS, INC.® USE OF THE ® IN CONNECTION WITH A MARK OF MIDWEST TRUCK & AUTO PARTS, INC.® INDICATES THAT THE MARK IS REGISTERED IN AT LEAST THE UNITED STATES. NO REPRESENTATION IS MADE WITH RESPECT TO THE SOURCE OF MANUFACTURE OF ANY PARTICULAR PART. © 2005, MIDWEST TRUCK & AUTO PARTS, INC.® ALL RIGHTS RESERVED.

EATON®

**MODELS: DT/DP340, DT/DP341, DT/DP380(P), DT/DP381(P), DT/DP400-P, DT/DP401-P,
DT/DP402(P), DT/DP451-P, 34DT/DP, 38DT/DP (Cont'd)**

ITEM NO.	PART NAME	QTY	DT/DP341 DT/DP381(P) DT/DP402(P) DT/DP401-P DT/DP451-P	DT/DP340 DT/DP380(P) DT/DP400-P	34DT/DP 38DT/DP	REMARKS	
	WHEEL DIFF. SIDE GEAR & PINION KIT	1					
	Includes Items 40-44						
	Models: 34, 340, 341		114469	98850	98850		
	38, 380, 381, 402		114470	85358	85358		
	400, 401, 451		98853	98853			
	WHEEL DIFF. KIT LESS SIDE GEARS	1	118748	118748	118748		
	Includes Items 40-43						
40	Spider	1	38289	38289	38289		
41	Side Pinion	4	104139	104139	104139	104139 replaces 37071	
42	Side Pinion Thrust Washer	4	27810	27810	27810		
43	Side Gear Thrust Washer	2	27827	27827	27827		
44	Diff. Side Gear	2					
	Models: 34, 340, 341		110525	37072	37072		
	38, 380, 381, 402		110527	37069	37069		
	400, 401, 451		85486	85486			
45	Pinion Pilot Bearing	1	MUS1307UM	MUS1307UM	MUS1307UM		
46	Pinion Bearing Cone (Inner)	1	72218C	72218C	72200C		
	Pinion Bearing Cone (Outer)	1	HM807049	72200C	72200C		
47	Pinion Bearing Spacer	AR					
48	Pinion Bearing Cage & Cup Assy	1					
	Includes Item 49						
	Ratio 3.55-3.70	1	110731	107322	-----	110731 Cast = 110730	
	Other Ratios	1	110733	107324	-----	110733 Cast = 110732	
	34/38DTB, C, 34/38DPB, C	1	-----	-----	107322	107322 Cast = 107321	
	34/38DTD, E, 34/38DPD, E	1	-----	-----	107324	107324 Cast = 107323	
49	Pinion Bearing Cup (Inner)	1	72487	72487	72487		
	Pinion Bearing Cup (Outer)	1	HM807010	72487	72487		
50	Pinion Bearing Cage Shim	AR					
	.003"		45461	45461	45461		
	.005"		62829	62829	62929		
	.010"		45462	45462	45462		
	.020"		62830	62830	62830		
	.030"		45463	45463	45463		
51	Bearing Cage Capscrew	6	62158	62158	62158		
52	Lockwasher	6	37207	37207	37207		
53	Pinion Helical Gear	1	110845	74991	-----		
	34/38DTB, C & DPB, C		-----	-----	46977		
	34/38DTD, E & DPD, E		-----	-----	74991		
54	Slotted Nut	1	118806	118854	118854		
	Pinion Nut		NOTE 2	NOTE 8	9520		
55	Roll Pin	1	118807	118855	118855		
56	Output Shaft Nut	1	95205	95205	95205		
57	Flat Washer	1	4327	4327	4327		
58	Output Yoke		CALL YOUR SALES REP				
59	Axle Housing Cover Assy	1					
	Includes Items 60-63						
	(Cover 127781) (NSS)		107320	-----	-----		
	3/4" (Cover 127874) (NSS)		-----	75336	75336		
	1" (Cover 77749) (NSS)		-----	-----	77750		
	Rear Bearing Retaining Washer (Not Illustrated)	1	-----	46583	46583		
60	Output Shaft Oil Seal	1	475003N	475003N	475003N		
61	Bearing Snap Ring	1	45516	45516	45516		
62	Output Shaft Bearing & Sleeve Assy		46584	46584	MA1209EL		
62	Output Shaft Bearing & Sleeve Assy		46584	46584	46584		
	Inner Bearing Race	1	72487	72487	72487		
	Outer Bearing Race	1	HM807010	HM807010	HM807010		

NSS = Not Sold Separately

PARTS LISTED IN THIS CATALOG ARE NOT NECESSARILY MANUFACTURED BY THE ORIGINAL EQUIPMENT MANUFACTURER AND ANY REFERENCE TO THE TRADEMARKS OR PART NUMBERS OF OTHERS ARE FOR CROSS REFERENCE INFORMATIONAL PURPOSES ONLY. THE TRADEMARKS OF OTHERS REFERRED TO HEREIN ARE OWNED BY THEIR RESPECTIVE COMPANIES AND ARE NOT AFFILIATED IN ANY WAY WITH MIDWEST TRUCK & AUTO PARTS, INC.® MOTIVE GEAR® AND WORLD AMERICAN® ARE THE REGISTERED TRADEMARKS OF MIDWEST TRUCK & AUTO PARTS, INC.® USE OF THE ® IN CONNECTION WITH A MARK OF MIDWEST TRUCK & AUTO PARTS, INC.® INDICATES THAT THE MARK IS REGISTERED IN AT LEAST THE UNITED STATES. NO REPRESENTATION IS MADE WITH RESPECT TO THE SOURCE OF MANUFACTURE OF ANY PARTICULAR PART. © 2005, MIDWEST TRUCK & AUTO PARTS, INC.® ALL RIGHTS RESERVED.

EATON®

**MODELS: DT/DP340, DT/DP341, DT/DP380(P), DT/DP381(P), DT/DP400-P, DT/DP401-P,
DT/DP402(P), DT/DP451-P, 34DT/DP, 38DT/DP (Cont'd)**

ITEM NO.	PART NAME	QTY	DT/DP341 DT/DP381(P) DT/DP402(P) DT/DP401-P DT/DP451-P	DT/DP340 DT/DP380(P) DT/DP400-P	34DT/DP 38DT/DP	REMARKS
63	Magnetic Filler Plug	1	----- 75130	54254 75130	54254 75130	3/4"
		1	77944	77944	77944	7/8"
	Hole Plug	1	90898	90898	90898	1"
64	OUTPUT SHAFT, NUT & BUSHING KIT	1	115123	98603	98603	
	(Shaft - NSS) 34 Splines, 1.750" dia.	1	128736			128736 replaces old #110818
	(Shaft - NSS) 10 Splines, 1.750" dia.	1		85441	85441	
65	Output Shaft Bushing	1	48922	48922	48922	
66	Output Shaft "O" Ring	2	46526	46526	46526	
67	Side Gear Snap Ring	2	85994	85994	85994	
					NOTE 4	
68	Output Shaft Bearing Cup (Inner)	1	29620	34492A	34492A	
69	Output Shaft Bearing Cone (Inner)	1	29675	34274	34274	
70	Output Shaft Side Gear	1	110810			
71	Output Shaft Spring	1	51238	-----	-----	
72	Output Shaft Spring Thrust Bearing	1	51228	-----	-----	
73	Inter-axle Diff. Assy	1	213608	213608	95213	
	Includes Items 74-80					
74	DIFF. CASE KIT	1	ORDER 213608			
	Case Half (NSS)					
75	Bolt	8	85438	85438	85438	
76	Nut	8	57637	57637	57637	
	DIFF. SIDE PINION & SPIDER KIT	1	-----	96381	96380	
	Includes Items 77-80					
77	Side Pinion	4	95214	95214	95210	
78	Side Pinion Bushing	4	95215	95215	95211	
79	Side Pinion Thrust Washer	4	127785	85437	25968	
80	Spider	1	127783	95216	95212	
81	Helical Side Gear Snap Ring	1	85997	85997	46983	
82	Helical Side Gear & Bushing Assy	1	128042	85432	45476	
	Includes Item 83			NOTE 5		
	Side Gear (NSS)		128018	85431	45474	
83	Helical Side Gear Bushing	2	85991	85991	48921	
84	Helical Side Gear Thrust Washer	1	85429	85429	45477	
85	Helical Side Gear "D" Washer	1	45478	45478	45478	
86	Lockout Sliding Clutch	1	128016	128016	45480	
87	INPUT SHAFT, WASHER & NUT KIT				NOTE 6	
	Includes Items 85 & 97					
	Models w/o Lube Pump	1	115122	103289	98693	
	(Shaft - NSS) 44 Splines, 2.250" dia.	1	128740			128740 replaces old #110823
	(Shaft - NSS) 16 Splines, 2.125" dia.	1		103283		
	(Shaft - NSS) 10 Splines, 1.969" dia.	1			88285	
	Models w/Lube Pump	1	115126	106709	-----	
	(Shaft - NSS) 44 Splines, 2.250" dia.	1	128739			128739 replaces old #110805
	(Shaft - NSS) 16 Splines, 2.125" dia.	1		102608	-----	
88	Input Shaft Bearing Cone	1	3979	JH307749	JM207049	
89	Input Shaft Bearing Cup	1	JM511910	JH307710	JM207010	
90	Input Bearing Cover Shim	AR				
	.003"		45498	45498	45498	
	.005"		70709	70709	70709	
	.010"		45499	45499	45499	
	.020"		85406	85406	85406	
91	Input Bearing Cover, Cup & Oil Assy	1				
	Includes Items 89 & 94					
	Models w/Lube Pump		211888	102629	-----	
	(Cover - NSS)		110806	102614		
	Models w/o Lube Pump		211634	85423	86813	
	(Cover - NSS)		110824	85421	86811	
92	Bearing Cover Capscrew	5	113324	113324	113324	
93	Lockwasher	5	90414	-----	-----	

NSS = Not Sold Separately

PARTS LISTED IN THIS CATALOG ARE NOT NECESSARILY MANUFACTURED BY THE ORIGINAL EQUIPMENT MANUFACTURER AND ANY REFERENCE TO THE TRADEMARKS OR PART NUMBERS OF OTHERS ARE FOR CROSS REFERENCE INFORMATIONAL PURPOSES ONLY. THE TRADEMARKS OF OTHERS REFERRED TO HEREIN ARE OWNED BY THEIR RESPECTIVE COMPANIES AND ARE NOT AFFILIATED IN ANY WAY WITH MIDWEST TRUCK & AUTO PARTS, INC.® MOTIVE GEAR® AND WORLD AMERICAN® ARE THE REGISTERED TRADEMARKS OF MIDWEST TRUCK & AUTO PARTS, INC.® USE OF THE ® IN CONNECTION WITH A MARK OF MIDWEST TRUCK & AUTO PARTS, INC.® INDICATES THAT THE MARK IS REGISTERED IN AT LEAST THE UNITED STATES. NO REPRESENTATION IS MADE WITH RESPECT TO THE SOURCE OF MANUFACTURE OF ANY PARTICULAR PART. © 2005, MIDWEST TRUCK & AUTO PARTS, INC.® ALL RIGHTS RESERVED.

EATON®

**MODELS: DT/DP340, DT/DP341, DT/DP380(P), DT/DP381(P), DT/DP400-P, DT/DP401-P,
DT/DP402(P), DT/DP451-P, 34DT/DP, 38DT/DP (Cont'd)**

ITEM NO.	PART NAME	QTY	DT/DP341 DT/DP381(P) DT/DP402(P) DT/DP401-P DT/DP451-P	DT/DP340 DT/DP380(P) DT/DP400-P	34DT/DP 38DT/DP	REMARKS
	OIL SEAL & SHIM KIT Includes Items 17, 50, 60, 90, 94 & RTV	1	114395			
	Input Shaft Spacer Washer (Not Illustrated)	1	-----	85427	-----	
94	Input Shaft Oil Seal	1	475012N	475012N	475003N	
95	Input Yoke		CALL YOUR SALES REP			
96	Flat Washer	1	85404	85404	56864	
97	Input Shaft Nut	1	95207	95207	95206	
98	Diff. Carrier Cover Assy Models w/o Lube Pump	1	45481	45481	45481	
	Models w/Lube Pump	1	102627	102627	-----	
	Includes Items 101-102 Cover (NSS)		102606	102606	-----	
99	Carrier Cover Capscrew					
	Long	4	12063	12063	12063	
	Short	5	90069	90069	90069	
100	Lockwasher	9	90417	90417	90417	
101	Pipe Plug	1	90325	90325	-----	
102	Expansion Plug	1	9797	9797	-----	
103	Magnetic Filter Screen Models w/Lube Pump	1	102611	102611	-----	
104	LUBE PUMP REPLACEMENT KIT Models w/Lube Pump Includes Items 105-110	1	106368	106368	-----	
105	Pump Drive Gear	1	111448	102609- NOTE 7	-----	
106	Drive Gear Locknut	1	111451	63028	-----	
	Drive Gear Woodruff® Key (Not Illustrated)	1	-----	81471	-----	
107	Cover "O" Ring	1	102620	102620	-----	
108	Cover Dowel Pin	2	102617	102617	-----	
109	Cover Capscrew	4	102618	102618	-----	
110	Lockwasher	4	90419	90419	-----	
111	Air-Operated Lockout Assy Lockout Assembly					
112	Shift Fork & Push Rod Assy					
	Models w/Lube Pump	1	102613	102613	-----	
	Models w/o Lube Pump	1	45859	45859	45859	
	Gasket Compound	AR	107276	107276	107276	

NSS = Not Sold Separately

PARTS LISTED IN THIS CATALOG ARE NOT NECESSARILY MANUFACTURED BY THE ORIGINAL EQUIPMENT MANUFACTURER AND ANY REFERENCE TO THE TRADEMARKS OR PART NUMBERS OF OTHERS ARE FOR CROSS REFERENCE INFORMATIONAL PURPOSES ONLY. THE TRADEMARKS OF OTHERS REFERRED TO HEREIN ARE OWNED BY THEIR RESPECTIVE COMPANIES AND ARE NOT AFFILIATED IN ANY WAY WITH MIDWEST TRUCK & AUTO PARTS, INC.® MOTIVE GEAR® AND WORLD AMERICAN® ARE THE REGISTERED TRADEMARKS OF MIDWEST TRUCK & AUTO PARTS, INC.® USE OF THE ® IN CONNECTION WITH A MARK OF MIDWEST TRUCK & AUTO PARTS, INC.® INDICATES THAT THE MARK IS REGISTERED IN AT LEAST THE UNITED STATES. NO REPRESENTATION IS MADE WITH RESPECT TO THE SOURCE OF MANUFACTURE OF ANY PARTICULAR PART. © 2005, MIDWEST TRUCK & AUTO PARTS, INC.® ALL RIGHTS RESERVED.

EATON®

MODELS: DT/DP340, DT/DP341, DT/DP380(P), DT/DP381(P), DT/DP400-P, DT/DP401-P, DT/DP402(P), DT/DP451-P, 34DT/DP, 38DT/DP

- NSS** - NOT SOLD SEPARATELY
- NOTE 1** - 120926 is interchangeable with 115825 by also using 110810 Output Shaft Side Gear. This conversion can be applied to 34/38D if power divider is also converted to D340/400 or D341/381/401.
- NOTE 2** - Axles built prior to May 1, 1982 use 95207 self-locking nut. Later models use 118806 slotted nut plus 118807 roll pin.
- NOTE 3** - Output Shaft Kit 115123 now contains shaft p/n 128736 which doesn't use an output shaft bushing. Refer to Technical Information Bulletin #93-06.
- NOTE 4** - For earlier style Output Shafts 46647 and 98603, use 44178 Snap Ring.
- NOTE 5** - Order Helical Gear Conversion Kit 113561.
- NOTE 6** - Early model axles use a ball bearing on input shaft. To convert ball bearing to taper bearing, use Kit 86987 which contains items 88, 90 & 91.
- NOTE 7** - 102609 remains available for early pump models built with Woodruff keys.
- NOTE 8** - Production Axles used 95206 self-locking nut; service gear sets now use 118854 slotted nut plus 118855 roll pin.
- NOTE 9** - Refer to Technical Information Bulletin #93-04 for more details.

RING GEAR & PINION SETS - FORWARD AXLES

MODEL 34/38DTB/DPB-C & DTD/DPD-E			MODEL DT/DP341/381/401/402/451			MODEL DT/DP341, 381, 401		
GEAR RATIO	GEAR SET	TEETH COUNT	GEAR RATIO	GEAR SET	TEETH COUNT	GEAR RATIO	GEAR SET	TEETH COUNT
3.70/5.05*	95547	(37-10)	3.55/4.83	218998	(39-11)	3.55/4.83*	111186	(39-11)
4.11/5.61*	95548	(37-9)	3.70/5.05	218999	(37-10)	3.70/5.05*	111187	(37-10)
4.33/5.91*	95549	(39-9)	3.90/5.32	219000	(39-10)	4.11/5.61	111188	(37-9)
4.56/6.21*	95550	(41-9)	4.11/5.61	219001	(37-9)	4.33/5.91	111189	(39-9)
4.88/6.65*	95551	(39-8)	4.33/5.91	219002	(39-9)	4.56/6.21	111190	(41-9)
5.29/7.21*	95552	(37-7)	4.56/6.21	219003	(41-9)	4.88/6.65	111191	(39-8)
5.57/7.60*	95553	(39-7)	4.88/6.65	219004	(39-8)	5.29/7.21	111192	(37-7)
6.14/8.38	95554	(43-7)	5.29/7.21	219005	(37-7)	5.57/7.60	111193	(39-7)
6.50/8.86	95555	(39-6)	5.57/7.60	219006	(39-7)	6.14/8.38	111194	(43-7)
7.17/9.77	95556	(43-6)	6.14/8.38	219007	(43-7)	6.50/8.86	111195	(39-6)
			6.50/8.86	218511	(39-6)	7.17/9.77	111196	(43-6)
			7.17/9.77	219008	(43-6)			
1/2" BOLT HOLES IN RING GEAR								
6.14/8.38	99662	(43-7)						
6.50/8.86	99663	(39-6)						
7.17/9.77	99664	(43-6)						

* 16" GEARING - ALL OTHERS 16-1/2" GEARING

PARTS LISTED IN THIS CATALOG ARE NOT NECESSARILY MANUFACTURED BY THE ORIGINAL EQUIPMENT MANUFACTURER AND ANY REFERENCE TO THE TRADEMARKS OR PART NUMBERS OF OTHERS ARE FOR CROSS REFERENCE INFORMATIONAL PURPOSES ONLY. THE TRADEMARKS OF OTHERS REFERRED TO HEREIN ARE OWNED BY THEIR RESPECTIVE COMPANIES AND ARE NOT AFFILIATED IN ANY WAY WITH MIDWEST TRUCK & AUTO PARTS, INC.® MOTIVE GEAR® AND WORLD AMERICAN® ARE THE REGISTERED TRADEMARKS OF MIDWEST TRUCK & AUTO PARTS, INC.® USE OF THE ® IN CONNECTION WITH A MARK OF MIDWEST TRUCK & AUTO PARTS, INC.® INDICATES THAT THE MARK IS REGISTERED IN AT LEAST THE UNITED STATES. NO REPRESENTATION IS MADE WITH RESPECT TO THE SOURCE OF MANUFACTURE OF ANY PARTICULAR PART. © 2005, MIDWEST TRUCK & AUTO PARTS, INC.® ALL RIGHTS RESERVED.