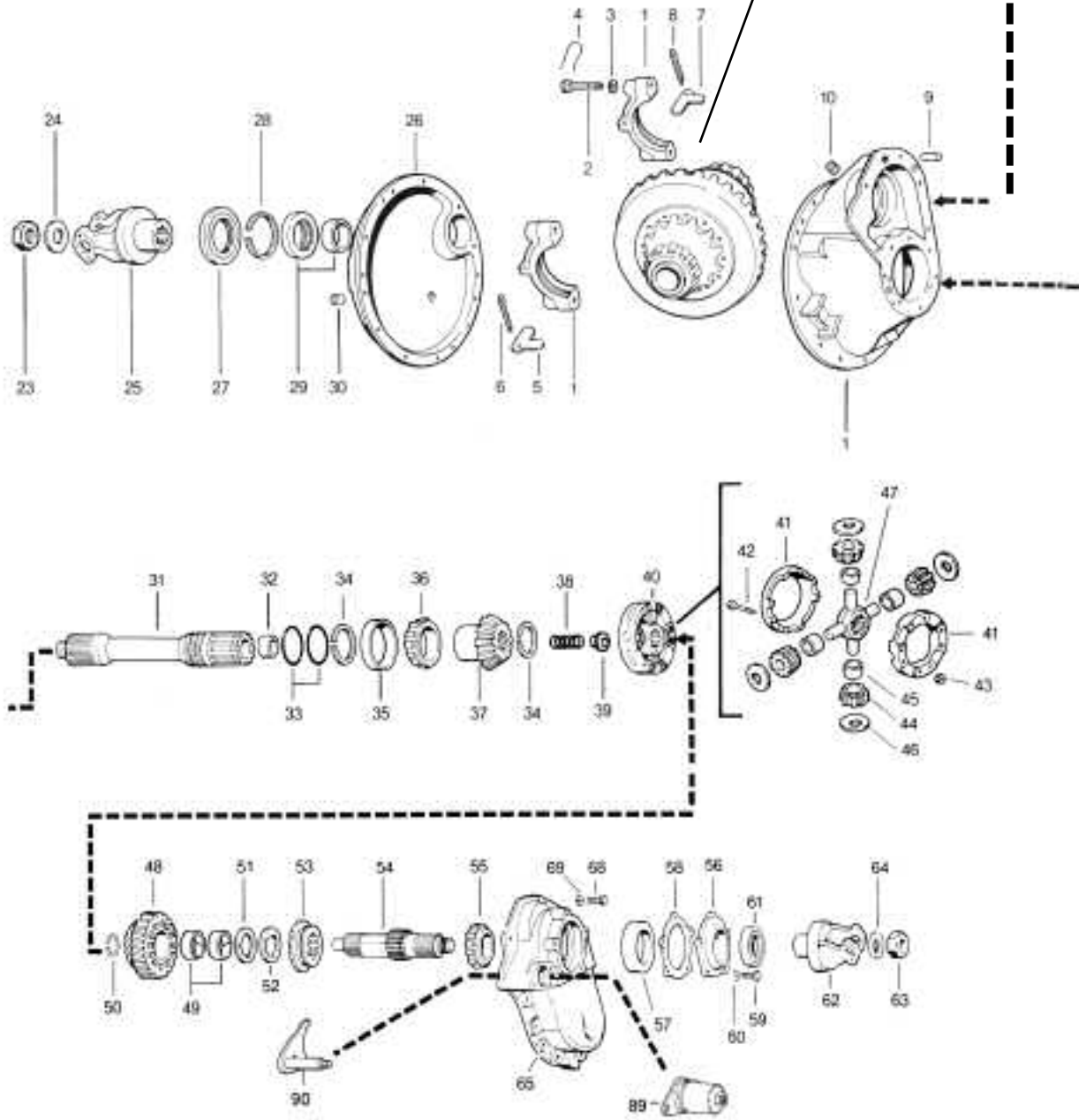


EATON®

MODELS: DS341, DS402(P), DS451-P, DS381(P), DS401-P, DS340, DS380(P),
DS400-P, 34DS, 38DS

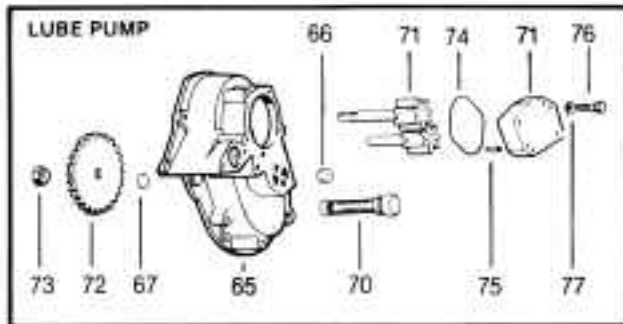
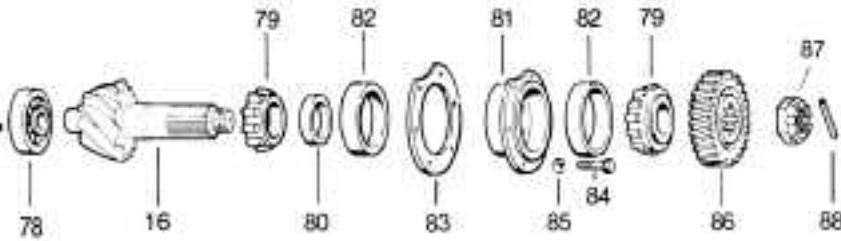
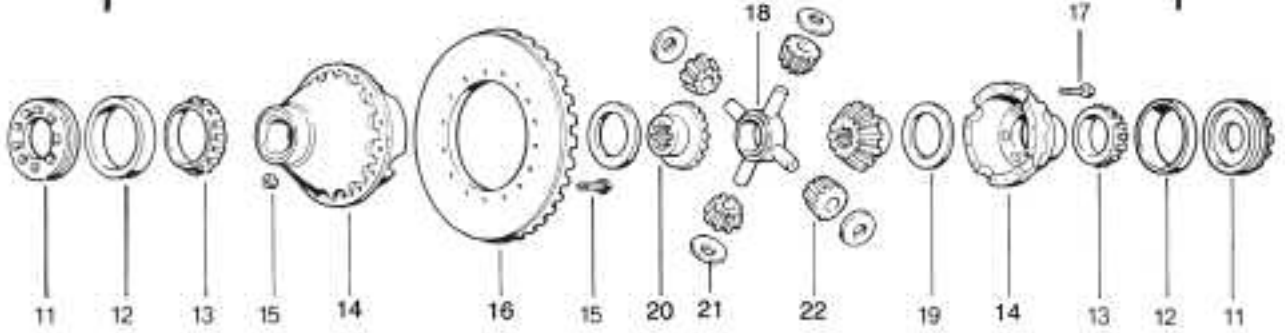


PARTS LISTED IN THIS CATALOG ARE NOT NECESSARILY MANUFACTURED BY THE ORIGINAL EQUIPMENT MANUFACTURER AND ANY REFERENCE TO THE TRADEMARKS OR PART NUMBERS OF OTHERS ARE FOR CROSS REFERENCE INFORMATIONAL PURPOSES ONLY. THE TRADEMARKS OF OTHERS REFERRED TO HEREIN ARE OWNED BY THEIR RESPECTIVE COMPANIES AND ARE NOT AFFILIATED IN ANY WAY WITH MIDWEST TRUCK & AUTO PARTS, INC.® MOTIVE GEAR® AND WORLD AMERICAN® ARE THE REGISTERED TRADEMARKS OF MIDWEST TRUCK & AUTO PARTS, INC.® USE OF THE ® IN CONNECTION WITH A MARK OF MIDWEST TRUCK & AUTO PARTS, INC.® INDICATES THAT THE MARK IS REGISTERED IN AT LEAST THE UNITED STATES. NO REPRESENTATION IS MADE WITH RESPECT TO THE SOURCE OF MANUFACTURE OF ANY PARTICULAR PART. © 2005, MIDWEST TRUCK & AUTO PARTS, INC.® ALL RIGHTS RESERVED.

EATON®

MODELS: DS341, DS402(P), DS451-P, DS381(P), DS401-P, DS340, DS380(P), DS400-P, 34DS, 38DS

DIFFERENTIAL & RING GEAR



PARTS LISTED IN THIS CATALOG ARE NOT NECESSARILY MANUFACTURED BY THE ORIGINAL EQUIPMENT MANUFACTURER AND ANY REFERENCE TO THE TRADEMARKS OR PART NUMBERS OF OTHERS ARE FOR CROSS REFERENCE INFORMATIONAL PURPOSES ONLY. THE TRADEMARKS OF OTHERS REFERRED TO HEREIN ARE OWNED BY THEIR RESPECTIVE COMPANIES AND ARE NOT AFFILIATED IN ANY WAY WITH MIDWEST TRUCK & AUTO PARTS, INC.® MOTIVE GEAR® AND WORLD AMERICAN® ARE THE REGISTERED TRADEMARKS OF MIDWEST TRUCK & AUTO PARTS, INC.® USE OF THE ® IN CONNECTION WITH A MARK OF MIDWEST TRUCK & AUTO PARTS, INC.® INDICATES THAT THE MARK IS REGISTERED IN AT LEAST THE UNITED STATES. NO REPRESENTATION IS MADE WITH RESPECT TO THE SOURCE OF MANUFACTURE OF ANY PARTICULAR PART. © 2005, MIDWEST TRUCK & AUTO PARTS, INC.® ALL RIGHTS RESERVED.

EATON®

**MODELS: DS341, DS402(P), DS451-P, DS381(P), DS401-P, DS340, DS380(P),
DS400-P, 34DS, 38DS**

ITEM NO.	PART NAME	QTY PER AXLE	DS341, DS402(P), DS451-P BUILT AFTER 4/6/89	DS381(P), DS402(P), DS401-P, DS451-P BUILT BEFORE 4/6/89	DS340, DS3L80(P), DS400-P NOTE 1	34DS 38DS
	Bearing, Seal & Gasket Kit	1	RA222FR	RA196R	RA193R	RA64FDR
1	Diff. Carrier & Bearing Caps Carrier Casting No. (NSS) 115690 includes Items 2-4, 9-10 120923, 120924 include Items 2-4, 9-10, 35-37	1	115690 128107	115690 128107	120924 128107 NOTE 2	120923 128107 NOTE 2
2	Bearing Capscrew	4	127179	127179	127179	127179
3	Flat Washer	4	26772	26772	26772	26772
4	Lockwire	4	-----	-----	90538	90538
5	Bearing Adjuster Lock (RH)	1	14275	14275	14275	14275
6	Cotter Pin (RH)	1	90876	90876	90876	90876
7	Bearing Adjuster Lock (LH)	1	13377	13377	13377	13377
8	Cotter Pin (LH)	1	90873	90873	90873	90873
9	Carrier Cover Dowel Pin	2	7641	7641	7641	7641
10	Filler Plug	1	90325	90325	90325	90325
11	Diff. Bearing Adjuster (RH)	1	31562	31562	31562	31562
	Diff. Bearing Adjuster (LH)	1	110243	110243	27842	27842
12	Diff. Bearing Cup (RH)	1	563	563	563	563
	Diff. Bearing Cup (LH)	1	493	493	493	493
13	Diff. Bearing Cone (RH)	1	567	567	567	567
	Diff. Bearing Cone (LH)	1	497	497	497	497
14	Diff. Case (Plain Half) (NSS)	1	210017	210017	210017	210017
	Diff. Case (Flanged Half) (NSS)	1				
	Ratios 3.08 & 3.25		127823	-----	-----	-----
	Ratios 3.36-5.29		103865	103865	103865	-----
	Ratios 5.57-7.17		88677	88677	88677	-----
	WHEEL DIFF. CASE KIT					
	Ratios 3.08 & 3.25	1	212202	-----	-----	-----
	Ratios 3.36 - 5.29	1	106397	106397	106397	-----
	Ratios 5.57 - 7.17	1	124374	124374	124374	-----
	Includes Items 16, 17 & 110243					
	Adjuster					
	12" O.D. - 1/2" Bolt	1	-----	-----	-----	96794
	Flanged Half 91114					
	11-1/2" O.D. - 1/2" Bolt	1	-----	-----	-----	96795
	Flanged Half 91116					
	5/8" Bolt	1	-----	-----	-----	124374
	Flanged Half 88677					
15	RING GEAR BOLT & NUT KIT (5/8")	1	70745	70745	70745	70745
	BOLT	16	67586	67586	67586	67586
	NUT	16	60600	60600	60600	60600
	RING GEAR BOLT & NUT KIT (1/2")	1	-----	-----	-----	69957
	Bolt	16	-----	-----	-----	69117
	Nut					
16	RING GEAR & DRIVE PINION SET		MATCHED PARTS: (SEE SEPARATE LISTING ON PAGE 19)			
17	Diff. Case Capscrew	12	96271	96271	96271	96271
18	Spider	1	38289	38289	38289	38289

NSS = Not Sold Separately

PARTS LISTED IN THIS CATALOG ARE NOT NECESSARILY MANUFACTURED BY THE ORIGINAL EQUIPMENT MANUFACTURER AND ANY REFERENCE TO THE TRADEMARKS OR PART NUMBERS OF OTHERS ARE FOR CROSS REFERENCE INFORMATIONAL PURPOSES ONLY. THE TRADEMARKS OF OTHERS REFERRED TO HEREIN ARE OWNED BY THEIR RESPECTIVE COMPANIES AND ARE NOT AFFILIATED IN ANY WAY WITH MIDWEST TRUCK & AUTO PARTS, INC.® MOTIVE GEAR® AND WORLD AMERICAN® ARE THE REGISTERED TRADEMARKS OF MIDWEST TRUCK & AUTO PARTS, INC.® USE OF THE ® IN CONNECTION WITH A MARK OF MIDWEST TRUCK & AUTO PARTS, INC.® INDICATES THAT THE MARK IS REGISTERED IN AT LEAST THE UNITED STATES. NO REPRESENTATION IS MADE WITH RESPECT TO THE SOURCE OF MANUFACTURE OF ANY PARTICULAR PART. © 2005, MIDWEST TRUCK & AUTO PARTS, INC.® ALL RIGHTS RESERVED.

EATON®

MODELS: DS341, DS402(P), DS451-P, DS381(P), DS401-P, DS340, DS380(P), DS400-P, 34DS, 38DS (Cont'd)

ITEM NO.	PART NAME	QTY PER AXLE	DS341, DS402(P), DS451-P BUILT AFTER 4/6/89	DS381(P), DS402(P), DS401-P, DS451-P BUILT BEFORE 4/6/89	DS340, DS3L80(P), DS400-P NOTE 1	34DS 38DS
	WHEEL DIFF. SIDE GEAR, PINION KIT Includes Items 18-22 Models: 34, 340, 341 38, 380, 381, 402 400, 401, 451	1	114469 114470 98853	114469 114470 98853	98850 85358 98853	98850 85358 -----
	WHEEL DIFF. KIT LESS SIDE GEARS Includes Items 18-19, 21-22	1	118748	118748	118748	118748
19	Side Gear Thrust Washer	2	27827	27827	27827	27827
20	Diff. Side Gear Models:34, 340, 341 38, 380, 381, 402 400, 401, 451	2	110525 110527 85486	110525 110527 85486	37072 37069 85486	37072 37069 -----
21	Side Pinion Thrust Washer	4	27810	27810	27810	27810
		----- 16				67592
22	Side Pinion 104139 replaces 37071	4	104139	104139	104139	104139
23	Output Shaft Nut	1	127589*	95205	95205	95205
24	Flat Washer	1	4327	4327	4327	4327
25	Output Yoke	1		CALL YOUR SALES REP		
26	Axle Housing Cover Assy Includes Items 27-30 (Casting# 127708) Cover (127781 (NSS) 3/4" (Cover 127874) 1" (Cover 7749 (NSS) Rear Bearing Retaining Washer Not Illustrated	1	107320	107320	75336 46683	75336 77750 46583
27	Output Shaft Oil Seal	1	475003N	475003N		
28	Bearing Snap Ring	1	45516	45516	45516	45516
29	Output Shaft Bearing Bearing - Inner Race (NSS) Bearing - Outer Race (NSS)	1 1 1	MA1209EL 118789 118790	MA1209EL 118789 118790	MA1209EL 118789 118790	MA1209EL 118789 118790
30	Magnetic Filler Plug 3/4" 1" 1" Optional Hole Plug	1 1 1 1	----- 75130 77944 90898	----- 75130 77944 90898	54254 ----- ----- -----	54254 75130 ----- -----
31	OUTPUT SHAFT, NUT & BUSHING KIT Includes Items 23, 32-33; 115123 also includes Items 38-39 Shaft (NSS) 34 splines, 1.750" dia. Shaft (NSS) 10 splines, 1.750" dia.	1	115123 110818	115123 110818	98603 85441	98603 85441
32	Output Shaft Bushing	1	48922	48922	48922	48922
33	Output Shaft "O" Ring	2	46526	46526	46526	46526
34	Output Washer	1	85429	85429	85429	85429
35	Output Shaft Bearing Cup (Inner)	1	29620	29620	34492A	34492A
36	Output Shaft Bearing Cone (Inner)	1	29675	29675	34274	34274
37	Output Shaft Side Gear	1	110810	110810	85436	85909
38	Output Shaft Spring	1	51238	-----	-----	-----
39	Output Shaft Spring Thrust Bearing	1	51228	-----	-----	-----
40	Inter-axle Diff. Assy w/o Lube Pump w/Lube Pump Includes Items 41-47	1	104509** 213608	104509** 213608	104509** 213608	95213 -----

* Late Style - Use 127589 Metric Nut

** All Have Been Replaced by 213608

NSS = Not Sold Separately

PARTS LISTED IN THIS CATALOG ARE NOT NECESSARILY MANUFACTURED BY THE ORIGINAL EQUIPMENT MANUFACTURER AND ANY REFERENCE TO THE TRADEMARKS OR PART NUMBERS OF OTHERS ARE FOR CROSS REFERENCE INFORMATIONAL PURPOSES ONLY. THE TRADEMARKS OF OTHERS REFERRED TO HEREIN ARE OWNED BY THEIR RESPECTIVE COMPANIES AND ARE NOT AFFILIATED IN ANY WAY WITH MIDWEST TRUCK & AUTO PARTS, INC.® MOTIVE GEAR® AND WORLD AMERICAN® ARE THE REGISTERED TRADEMARKS OF MIDWEST TRUCK & AUTO PARTS, INC.® USE OF THE ® IN CONNECTION WITH A MARK OF MIDWEST TRUCK & AUTO PARTS, INC.® INDICATES THAT THE MARK IS REGISTERED IN AT LEAST THE UNITED STATES. NO REPRESENTATION IS MADE WITH RESPECT TO THE SOURCE OF MANUFACTURE OF ANY PARTICULAR PART. © 2005, MIDWEST TRUCK & AUTO PARTS, INC.® ALL RIGHTS RESERVED.

EATON®

MODELS: DS341, DS402(P), DS451-P, DS381(P), DS401-P, DS340, DS380(P),

ITEM NO.	PART NAME	QTY PER AXLE	DS341, DS402(P), DS451-P BUILT AFTER 4/6/89	DS381(P), DS402(P), DS401-P, DS451-P BUILT BEFORE 4/6/89	DS340, DS3L80(P), DS400-P NOTE 1	34DS 38DS
41	DIFF. CASE KIT w/o Lube Pump w/Lube Pump Case Half (NSS) w/o Lube Pump w/Lube Pump	1 (NLA) (NLA) 2	Order #40 Order #40	Order #40 Order #40	94810 Order #40	91850 -----
			102621 127784	102621 102621	102621 102621	88029 -----
42	Bolt*	8	85438	85438	85438	85438
43	Nut*	8	57637	57637	57637	57637
	DIFF SIDE PINION & SPIDER* Kit (Includes Items 44-47) w/o Lube Pump w/Lube Pump	1	96381 -----	96381 96381	96381 96381	96380 -----
44	Side Pinion* w/o Lube Pump w/Lube Pump	4	95214 95214	95214 95414	95214 95214	95210 -----
45	Side Pinion Bushing* w/o Lube Pump w/Lube Pump	4	95215 -----	95215 95215	95215 95215	95211 -----
46	Side Pinion Thrust Washer* w/o Lube Pump w/Lube Pump	4	85437 127785	85437 85437	85437 85437	25968 -----
47	Spider* w/o Lube Pump w/Lube Pump	1	95216 127783	95216 95216	95216 95216	95212 -----
48	Helical Side Gear & Bushing Assy Includes Item 49 Side Gear (NSS)	1	128042 128028	128042 128018	85432 ** 85431	45476 ----- 45474
49	Helical Side Gear Bushing	2	85991	85991	85991	48921
50	Helical Side Gear Snap Ring	1	85997	85997	85997	46983
51	Helical Side Gear Thrust Washer	1	85429	85429	85429	45477
52	Helical Side Gear "D" Washer	1	45478	45478	45478	45478
53	Lockout Sliding Clutch	1	128016	128016	128016	128016
54	INPUT SHAFT, WASHER & NUT KIT Includes Items 52 & 63 Models w/o Lube Pump Shaft (NSS) 44 splines, 2.250" dia. Shaft (NSS) 16 splines, 2.125" dia. Shaft (NSS) 10 splines, 1.969" dia. Models w/Lube Pump Shaft (NSS) 44 splines, 2.250" dia. Shaft (NSS) 16 splines, 2.125" dia.	1 1	115122 110823 115126 110805	115122 110823 115126 110805	103289 106709 102608	98693 ----- 88285 -----
55	Input Shaft Bearing Cone	1	3979	3979	JH307749	JM207049
56	Input Bearing Cover, Cup & Seal Assy Includes Items 57 & 61 Models w/o Lube Pump Cover (NSS) Models w/Lube Pump Cover (NSS)	1 1	211634 110824 211888 110807	110826 110824 110808 110807	85423 85421 102629 102614	86813 86811 -----
57	Input Bearing Cup	1	JM511910	JM511910	JH307710	JM207010
58	Input Bearing Cover Shim .003 .005 .010 .020	AR	45498 70709 45499 85406	45498 70709 45499 85406	45498 70709 45499 85406	45498 70709 45499 86506
59	Bearing Cover Capscrew	5	113324	113324	113324	113324
60	Lockwasher	5	90414	90414	-----	-----
	OIL SEAL & SHIM KIT Includes Items 27, 58, 61, 83 & RV	1	114465	114465	114465	114465

* = PD kit has been updated use complete PD Kit 213608

** = Use Helical Conversion Kit 113561

NSS = Not Sold Separately

NLA = No Longer Available

PARTS LISTED IN THIS CATALOG ARE NOT NECESSARILY MANUFACTURED BY THE ORIGINAL EQUIPMENT MANUFACTURER AND ANY REFERENCE TO THE TRADEMARKS OR PART NUMBERS OF OTHERS ARE FOR CROSS REFERENCE INFORMATIONAL PURPOSES ONLY. THE TRADEMARKS OF OTHERS REFERRED TO HEREIN ARE OWNED BY THEIR RESPECTIVE COMPANIES AND ARE NOT AFFILIATED IN ANY WAY WITH MIDWEST TRUCK & AUTO PARTS, INC.® MOTIVE GEAR® AND WORLD AMERICAN® ARE THE REGISTERED TRADEMARKS OF MIDWEST TRUCK & AUTO PARTS, INC.® USE OF THE ® IN CONNECTION WITH A MARK OF MIDWEST TRUCK & AUTO PARTS, INC.® INDICATES THAT THE MARK IS REGISTERED IN AT LEAST THE UNITED STATES. NO REPRESENTATION IS MADE WITH RESPECT TO THE SOURCE OF MANUFACTURE OF ANY PARTICULAR PART. © 2005, MIDWEST TRUCK & AUTO PARTS, INC.® ALL RIGHTS RESERVED.

EATON®

**MODELS: DS341, DS402(P), DS451-P, DS381(P), DS401-P, DS340, DS380(P),
DS400-P, 34DS, 38DS (Cont'd)**

ITEM NO.	PART NAME	QTY PER AXLE	DS341, DS402(P), DS451-P BUILT AFTER 4/6/89	DS381(P), DS402(P), DS401-P, DS451-P BUILT BEFORE 4/6/89	DS340, DS3L80(P), DS400-P NOTE 1	34DS 38DS
61	Oil Seal - Input Bearing Spacer Not illustrated	1 1	127719 -----	127719 -----	127719 85427	127720 -----
62	Input Yoke			CALL YOUR SALES REP		
63	Input Shaft Nut	1	128049*	95207	95207	95206
64	Flat Washer	1	85404	85404	85404	56864
65	Diff. Carrier Cover Assy Models w/o Lube Pump	1	45481	45481	45481	45481
	Models w/Lube Pump Includes Items 66-67 Cover (NSS)	1	102627	102627	102627	-----
			102606	102606	102606	-----
66	Pipe Plug 1" Models w/Lube Pump	1	90325	90325	90325	-----
67	Expansion Plug Models w/Lube Pump	1	9797	9797	9797	-----
68	Carrier Cover Capscrew Models w/o Lube Pump (Long)	5	12063	12063	12063	12063
	(Short)	4	90069	90069	90069	90069
	Models w/Lube Pump (Long)	4	12063	12063	12063	-----
	(Short)	4	90069	90069	90069	-----
	(12 pt)	1	81855	81855	102605	-----
69	Lockwasher	9	90417	90417	90417	90417
70	Magnetic Filter Screen Models w/Lube Pump	1	102611	102611	102511	-----
71	LUBE PUMP REPLACEMENT KIT Models w/Lube Pump Includes Items 72-77	1	106368	106368	106368	-----
72	Pump Drive Gear	1	111448	111448	102609	-----
73	Drive Gear Locknut	1	111451	111451	63028	-----
	Drive Gear Woodruff Key Not Illustrated	1	-----	-----	81471	-----
74	Cover "O" Ring	1	102620	102620	102620	-----
75	Cover Dowel Pin	2	102617	102617	102617	-----
76	Cover Capscrew	4	102618	102618	102618	-----
77	Lockwasher	4	90419	90419	90419	-----
78	Pinion Pilot Bearing	1	MUSB7307UM	MUS1307UM	MUS1307UM	
79	Pinion Bearing Cone (Inner)	1	72218C	72218C	72218C	72200C
	Pinion Bearing Cone (Outer)	1	HM807049	HM807049	72200C	72200C
80	Pinion Bearing Spacer	AR		CALL YOUR SALES REP		
81	Pinion Bearing Cage & Cup Assy	1				
	Includes Item 82					
	Ratios 3.55 & 3.70		110731	110731	107322	107322
	Cage (NSS)		110730	110730	107321	107321
	Ratios 3.08, 3.25, 3.35, 3.90-7.17		110733	110733	107324	107324
	Cage (NSS)		110732	110732	107323	107323
82	Pinion Bearing Cup (Inner)	1	72487	72487	72487	72487
	Pinion Bearing Cup (Outer)	1	HM807010	HM807010	72487	72487
83	Pinion Bearing Cage Shim	AR				
	.003"		45461	45461	45461	45461
	.005"		62829	62829	52829	62829
	.010"		45462	45462	45462	45462
	.020"		62830	62830	61830	62830
	.030"		45463	45463	45463	45463
84	Bearing Cage Capscrew	6	62158	62158	62158	62158
85	Lockwasher	6	37207	37207	37207	37207
86	Pinion Helical Gear	1	110845	110845		
	Ratios 3.70		-----		46977	-----
	Other Ratios		-----		74991	-----
	34/38DSB, C		-----		-----	46977
	34/38DSD, E		-----		-----	74991

* = Late Style - Use 128049 Metric Nut

NSS = Not Sold Separately

PARTS LISTED IN THIS CATALOG ARE NOT NECESSARILY MANUFACTURED BY THE ORIGINAL EQUIPMENT MANUFACTURER AND ANY REFERENCE TO THE TRADEMARKS OR PART NUMBERS OF OTHERS ARE FOR CROSS REFERENCE INFORMATIONAL PURPOSES ONLY. THE TRADEMARKS OF OTHERS REFERRED TO HEREIN ARE OWNED BY THEIR RESPECTIVE COMPANIES AND ARE NOT AFFILIATED IN ANY WAY WITH MIDWEST TRUCK & AUTO PARTS, INC. MOTIVE GEAR® AND WORLD AMERICAN® ARE THE REGISTERED TRADEMARKS OF MIDWEST TRUCK & AUTO PARTS, INC. USE OF THE ® IN CONNECTION WITH A MARK OF MIDWEST TRUCK & AUTO PARTS, INC. INDICATES THAT THE MARK IS REGISTERED IN AT LEAST THE UNITED STATES. NO REPRESENTATION IS MADE WITH RESPECT TO THE SOURCE OF MANUFACTURE OF ANY PARTICULAR PART. © 2005, MIDWEST TRUCK & AUTO PARTS, INC. ALL RIGHTS RESERVED.

EATON®

MODELS: DS341, DS402(P), DS451-P, DS381(P), DS401-P, DS340, DS380(P),
DS400-P, 34DS, 38DS (Cont'd)

ITEM NO.	PART NAME	QTY PER AXLE	DS341, DS402(P), DS451-P BUILT AFTER 4/6/89	DS381(P), DS402(P), DS401-P, DS451-P BUILT BEFORE 4/6/89	DS340, DS3L80(P), DS400-P NOTE 1	34DS 38DS
87	Slotted Pinion Nut	1	118806	118806	-----	-----
88	Roll Pin	1	118807	118807	-----	-----
	Slotted Nut	1	-----		95206	95206
89	Air-Operated Lockout Assy					
	Models w/Lube Pump	1		CALL YOUR SALES REP		
	Models w/o Lube Pump	1		CALL YOUR SALES REP		
90	Shift Fork & Push Rod Assy					
	Models w/Lube Pump	1	102613	102613	102613	-----
	Models w/o Lube Pump	1	45859	45859	45859	45859
	Gasket Compound	AR	107276	107276	107276	107276

* = Before 4/6/89 Use Late Style R & P & Late Pilot Bearing MUSB7307UM

RING GEAR & PINION KITS

34/38DS PINION SPLINE: 1 5/8" 10 SPLINE

RATIO	PART#	TEETH COUNT
3.70	95536	(37-10)
4.11	95537	(37-9)
4.33	95538	(39-9)
4.56	95539	(41-9)
4.88	95540	(39-8)
5.29	95541	(37-7)
5.57	95542	(39-7)
6.14	95543	(43-7)
6.50	95544	(39-6)
7.17	95545	(43-6)

FORWARD AXLES: DS341, 401, 402-P, 451-P. PINION SPLINE 41, 2.100" DIA.

RATIO	*BEFORE 4/6/89 PART#	AFTER 4/6/89 PART #	TEETH COUNT
	3.36	120761	
3.55	111174	127266	(39-11)
3.70	111175	127267	(37-10)
3.90	111176	127268	(39-10)
4.11	111177	127269	(37-9)
4.33	111178	127270	(39-9)
4.56	111179	127271	(41-9)
4.88	111180	127272	(39-8)
5.29	111181	127273	(37-7)
5.57	111182	127274	(39-7)
6.14	111183	127275	(43-7)
6.50	111184	127276	(39-6)
7.17	111185	127277	(43-6)

DS 340, 380, 400. PINION SPLINE: 1 5/8" 10 SPLINE

RATIO	PART#	TEETH COUNT
3.55	110862	(39-11)
3.70	95557	(37-10)
3.90	99745	(39-10)
4.11	95558	(37-9)
4.33	95559	(39-9)
4.56	95560	(41-9)
4.88	95561	(39-8)
5.29	95562	(37-7)
5.57	95563	(39-7)
6.14	95564	(43-7)
6.50	95565	(39-6)
7.17	95566	(43-6)

PARTS LISTED IN THIS CATALOG ARE NOT NECESSARILY MANUFACTURED BY THE ORIGINAL EQUIPMENT MANUFACTURER AND ANY REFERENCE TO THE TRADEMARKS OR PART NUMBERS OF OTHERS ARE FOR CROSS REFERENCE INFORMATIONAL PURPOSES ONLY. THE TRADEMARKS OF OTHERS REFERRED TO HEREIN ARE OWNED BY THEIR RESPECTIVE COMPANIES AND ARE NOT AFFILIATED IN ANY WAY WITH MIDWEST TRUCK & AUTO PARTS, INC.® MOTIVE GEAR® AND WORLD AMERICAN® ARE THE REGISTERED TRADEMARKS OF MIDWEST TRUCK & AUTO PARTS, INC.® USE OF THE ® IN CONNECTION WITH A MARK OF MIDWEST TRUCK & AUTO PARTS, INC.® INDICATES THAT THE MARK IS REGISTERED IN AT LEAST THE UNITED STATES. NO REPRESENTATION IS MADE WITH RESPECT TO THE SOURCE OF MANUFACTURE OF ANY PARTICULAR PART. © 2005, MIDWEST TRUCK & AUTO PARTS, INC.® ALL RIGHTS RESERVED.