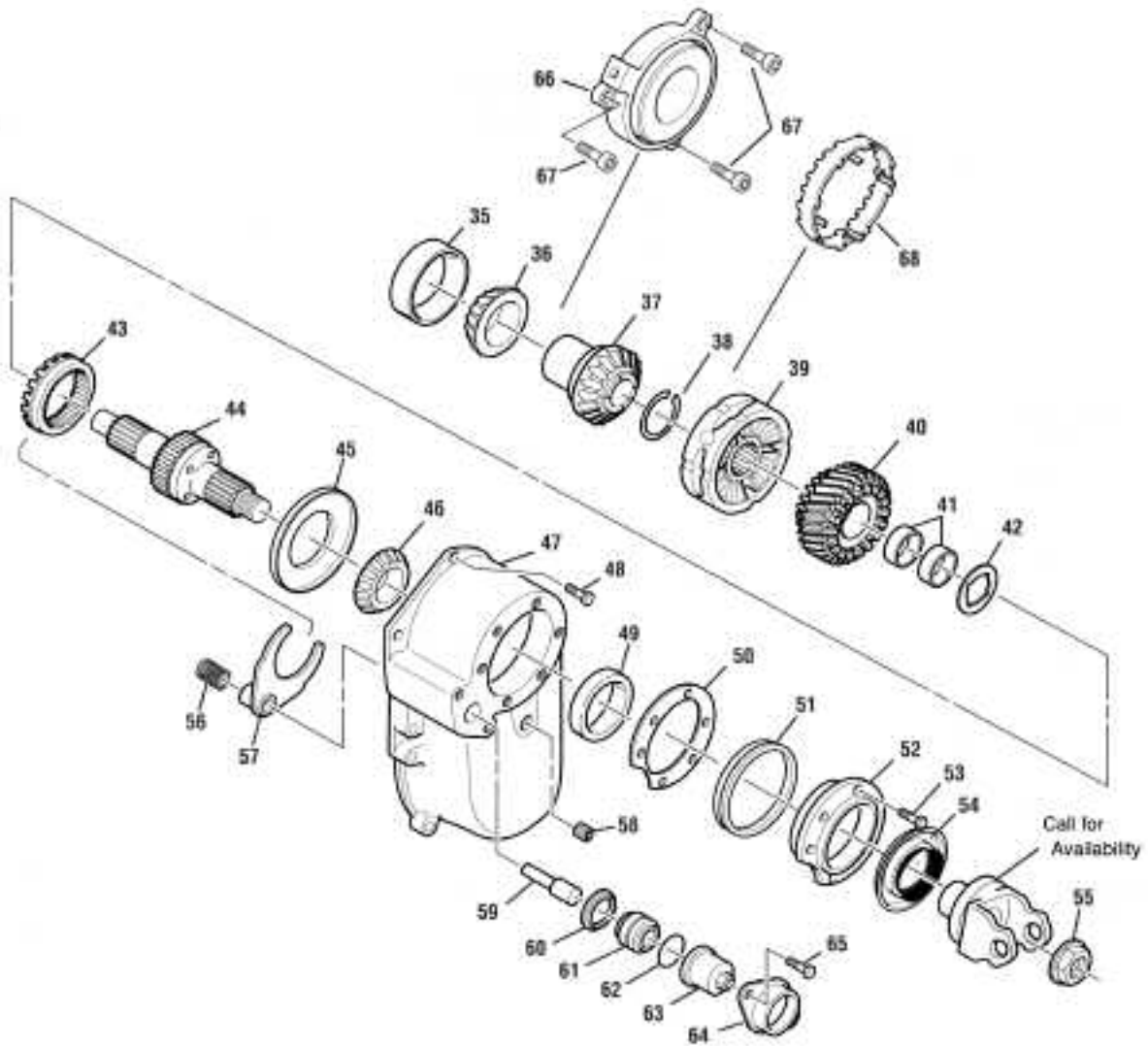
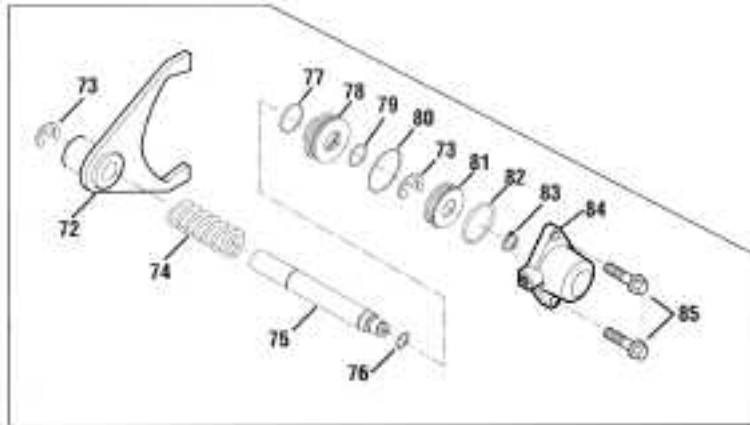


PARTS LISTED IN THIS CATALOG ARE NOT NECESSARILY MANUFACTURED BY THE ORIGINAL EQUIPMENT MANUFACTURER AND ANY REFERENCE TO THE TRADEMARKS OR PART NUMBERS OF OTHERS ARE FOR CROSS REFERENCE INFORMATIONAL PURPOSES ONLY. THE TRADEMARKS OF OTHERS REFERRED TO HEREIN ARE OWNED BY THEIR RESPECTIVE COMPANIES AND ARE NOT AFFILIATED IN ANY WAY WITH MIDWEST TRUCK & AUTO PARTS, INC.® MOTIVE GEAR® AND WORLD AMERICAN® ARE THE REGISTERED TRADEMARKS OF MIDWEST TRUCK & AUTO PARTS, INC.® USE OF THE ® IN CONNECTION WITH A MARK OF MIDWEST TRUCK & AUTO PARTS, INC.® INDICATES THAT THE MARK IS REGISTERED IN AT LEAST THE UNITED STATES. NO REPRESENTATION IS MADE WITH RESPECT TO THE SOURCE OF MANUFACTURE OF ANY PARTICULAR PART. © 2005, MIDWEST TRUCK & AUTO PARTS, INC.® ALL RIGHTS RESERVED.

EATON®

DS344 - 404 - 454



PARTS LISTED IN THIS CATALOG ARE NOT NECESSARILY MANUFACTURED BY THE ORIGINAL EQUIPMENT MANUFACTURER AND ANY REFERENCE TO THE TRADEMARKS OR PART NUMBERS OF OTHERS ARE FOR CROSS REFERENCE INFORMATIONAL PURPOSES ONLY. THE TRADEMARKS OF OTHERS REFERRED TO HEREIN ARE OWNED BY THEIR RESPECTIVE COMPANIES AND ARE NOT AFFILIATED IN ANY WAY WITH MIDWEST TRUCK & AUTO PARTS, INC.® MOTIVE GEAR® AND WORLD AMERICAN® ARE THE REGISTERED TRADEMARKS OF MIDWEST TRUCK & AUTO PARTS, INC.® USE OF THE ® IN CONNECTION WITH A MARK OF MIDWEST TRUCK & AUTO PARTS, INC.® INDICATES THAT THE MARK IS REGISTERED IN AT LEAST THE UNITED STATES. NO REPRESENTATION IS MADE WITH RESPECT TO THE SOURCE OF MANUFACTURE OF ANY PARTICULAR PART. © 2005, MIDWEST TRUCK & AUTO PARTS, INC.® ALL RIGHTS RESERVED.

EATON®

DS344 - 404 - 454

ITEM	DESCRIPTION	QUANTITY	DS344, DA404(P) DS404(P) DS454-P	DD404(P) DD454-P	NOTES
	Bearing, Seal & Gasket Kit		RA404FR	217463	
1	Diff. Carrier & Bearing Caps Kit (Includes Items 1-3, 5, 62)	1	216222 217360 217536	217361 217537	Non-Pump Models Models with Pump DA404 Model Only
2	Flat Washer	4	210288	210288	
3	Capscrew	4	210095	210095	
4	Cotter Pin	2	126156	126156	
5	Dowel Pin	2	7641	7641	
6	Diff. Bearing Adjuster - Plain Half	1	127412 128429	128616	DA404(P) Model Only
7	Bearing Cup - Plain Half	1	493	42584	
8	Bearing Cone - Plain Half	1	497	42362	
9	Diff. Bearing Adjuster - Flange Half	1	127410 128428	127410	DA404(P) Model Only
10	Bearing Cup - Flange Half	1	563	563	
11	Bearing Cone - Flange Half	1	567	567	
	WHEEL DIFF. CASE KITS				
12	Diff. Case-RH (Flg. Half) - (NSS) 127585 Diff. Case-RH (Flg. Half) - (NSS) 127586 Diff. Case-RH (Flg. Half) - (NSS) 127574 Diff. Case-RH (Flg. Half) - (NSS) 127575 (Includes Items 13-14)	1	508653 508654 508655 508656	508724 508725 508726 508727	Ratios 2.64 to 3.25 Ratios 3.36 to 3.90 Ratios 4.11 to 4.88 Ratios 5.29 to 6.50 Use 508652 Belt Kit
13	Diff. Case-LF (Plain Half) - (NSS)	1	127498	128607	Order kits listed above
14	Capscrew	12	127465	128619	Included in Case Kits
	WHEEL DIFF. SIDE GEAR KIT (Includes Items 15-19)		217461 216229 217462	216229	All 344 Models All 404 & DS454-P Models DD454P Models Only
	WHEEL DIFF. W/O SIDE GEARS (Includes Items 16-19)		216228	216228	
15	Diff. Spider	1	127359	127359	
	RING GEAR NUT & BOLT KIT (Includes Items 20-21) Ring Gear & Pinion Drive Set (NSS)		121753	121753	
			MATCHED PARTS: (SEE SEPARATE LISTING ON PAGE 27)		
16	Side Pinion	4	127364	127364	
17	Side Pinion Thrust Washer	4	129305	129305	
18	Side Gear - 39 Inv. Spline 41 Inv. Spline 33 Inv. Spline	2	127367 127368	127368 127366	All 344 Models All 404 & DS454-P Models DD454-P Models Only
19	Side Gear Thrust Washer	2	127386	127386	
20	Nut	16	126216	126216	
21	Bolt	16	126219	126219	
22	Pinion Pilot Bearing	1	MUB1307UM	MUB1307UM	
23	Pinion Bearing Cone - Inner	1	72218C	72218C	
24	Spacer Washer	1	127565	127565	
25	Pinion Bearing Spacer	AR			
26	Pinion Bearing Cage & Cup Assy Cage # 127488C (NSS) (Includes Items 26-28)	1	127601	127601	Includes Item 26-28
27	Pinion Bearing Cup - Inner	1	72487	72487	
28	Pinion Bearing Cup - Outer	1	55437	55437	
29	Pinion Bearing Cone - Outer	1	72218C	72218C	
30	Capscrew	6	210115	210115	
31	Pinion Helical Gear	1	127523	127523	

NSS = Not Sold Separately

PARTS LISTED IN THIS CATALOG ARE NOT NECESSARILY MANUFACTURED BY THE ORIGINAL EQUIPMENT MANUFACTURER AND ANY REFERENCE TO THE TRADEMARKS OR PART NUMBERS OF OTHERS ARE FOR CROSS REFERENCE INFORMATIONAL PURPOSES ONLY. THE TRADEMARKS OF OTHERS REFERRED TO HEREIN ARE OWNED BY THEIR RESPECTIVE COMPANIES AND ARE NOT AFFILIATED IN ANY WAY WITH MIDWEST TRUCK & AUTO PARTS, INC.® MOTIVE GEAR® AND WORLD AMERICAN® ARE THE REGISTERED TRADEMARKS OF MIDWEST TRUCK & AUTO PARTS, INC.® USE OF THE ® IN CONNECTION WITH A MARK OF MIDWEST TRUCK & AUTO PARTS, INC.® INDICATES THAT THE MARK IS REGISTERED IN AT LEAST THE UNITED STATES. NO REPRESENTATION IS MADE WITH RESPECT TO THE SOURCE OF MANUFACTURE OF ANY PARTICULAR PART. © 2005, MIDWEST TRUCK & AUTO PARTS, INC.® ALL RIGHTS RESERVED.

ITEM	DESCRIPTION	QUANTITY	DS344, DA404(P) DS404(P) DS454-P	DD404(P) DD454-P	NOTES
32	Roll Pin	1	118807	118807	
33	Slotted Pinion Nut	1	126182	126182	
34	Output Shaft O-Ring	2	127545	127545	
35	Output Shaft Bearing Cup	1	29630	29630	
36	Output Shaft Bearing Cone	1	29675	29675	
37	Output Shaft Side Gear	1	127645	127645	
38	Snap Ring	1	85997	85997	
39	Inter-Axle Diff. Assy	1	128634	128634	Use For Non-Pump & Pump Models
40	Helical Side Gear & Bushing Assy Gear #127494 - (NSS) Includes Item 41)	1	127495	127495	
41	Helical Gear Bushing - (NSS)	2	(NSS)	(NSS)	
42	Helical Gear Thrust Washer	2	128702	128702	
43	Lockout Sliding Clutch	1	127510	127510	
44	Input Shaft Kit - Shaft #128704 (NSS)	1	216226	216226	Includes Items 42, 44, 55
45	Oil Retainer	1	128700	128700	
46	Input Shaft Bearing Cone	1	552A	552A	
47	PDU Cover	1	127605	127605	
48	Capscrew	5	210091	210091	Long
		4	210115	210115	Short
49	Bearing Cup	1	555S	555S	
	OIL SEAL & SHIM KIT	1	216224	216224	Incl.Items 50,54 &127592 Oil Seal
50	Shim .003	AR	127595	127595	
	Shim .005		127596	127596	
	Shim .010		127597	127597	
	Shim .020		127598	127598	
	Shim .030		127599	127599	
51	Oil Seal-V-Ring	1	401300	401300	
52	Input Brg. Cover Assy - Cover #127490C	1	127602	127602	Includes Item 49
53	Bearing Cover Capscrew	6	210115	210115	
54	Oil Seal	1	127591	127591	
55	Locknut	1	128049	128049	Included in 216226 Kit
56	Compression Spring	1	127474	127474	
57	Shift Fork Assy	1	129783	129783	
58	Plug	1	90325	90325	
59	Push Rod	1	127477	127477	
	AIR-OPERATED LOCKOUT ASSY	1	121905	121905	Includes Items 60-64
60	Shoulder Washer	1	210452	210452	
61	Piston	1	210278	210278	
62	O-Ring	1	210180	210180	
63	Shift Cylinder Body	1	210276	210276	
64	Mounting Bracket	1	127675	127675	
65	Capscrew	2	210182	210182	
66	Lube Pump Assembly	1	127534	127534	Pump Models Only
67	Capscrew	3	127551	127551	Pump Models Only
68	Drive Coupling - Service	1	128628	128628	Pump Models Only (Prod#127648)
69	Poppet Valve Plug	1	19411	19411	Pump Models Only
70	Pipe Plug	4	X12603	X12603	Pump Models Only
71	Filter Screen Assy	1	127649	127649	Pump Models Only
	NAVISTAR® REVERSE-AIR LOCKOUT KIT	1	216048	216048	Includes Items 73-85

NSS = Not Sold Separately

PARTS LISTED IN THIS CATALOG ARE NOT NECESSARILY MANUFACTURED BY THE ORIGINAL EQUIPMENT MANUFACTURER AND ANY REFERENCE TO THE TRADEMARKS OR PART NUMBERS OF OTHERS ARE FOR CROSS REFERENCE INFORMATIONAL PURPOSES ONLY. THE TRADEMARKS OF OTHERS REFERRED TO HEREIN ARE OWNED BY THEIR RESPECTIVE COMPANIES AND ARE NOT AFFILIATED IN ANY WAY WITH MIDWEST TRUCK & AUTO PARTS, INC.® MOTIVE GEAR® AND WORLD AMERICAN® ARE THE REGISTERED TRADEMARKS OF MIDWEST TRUCK & AUTO PARTS, INC.® USE OF THE ® IN CONNECTION WITH A MARK OF MIDWEST TRUCK & AUTO PARTS, INC.® INDICATES THAT THE MARK IS REGISTERED IN AT LEAST THE UNITED STATES. NO REPRESENTATION IS MADE WITH RESPECT TO THE SOURCE OF MANUFACTURE OF ANY PARTICULAR PART. © 2005, MIDWEST TRUCK & AUTO PARTS, INC.® ALL RIGHTS RESERVED.

EATON®

DS344 - 404 - 454 (Cont'd)

ITEM	DESCRIPTION	QUANTITY	DS344, DA404(P) DS404(P) DS454-P	DD404(P) DD454-P	NOTES
72	Shift Fork	1	CALL YOUR SALES REP		
73	Snap Ring	2	128725	128725	
74	Compression Spring	1	128731	128731	
75	Push Rod	1	128730	128730	
76	O-Ring	1	128331	128331	
77	O-Ring	1	128727	128727	
78	Pilot Plate	1	128726	128726	
79	O-Ring	1	128729	128729	
80	O-Ring	1	128728	128728	
81	Piston	1	128724	128724	
82	O-Ring	1	210180	210180	
83	Snap Ring	1	128734	128734	
84	Piston Cover	1	128733	128733	
85	Capscrew - Fig Head Hex	2	128744	128744	
86	Fixed Curvic Clutch Gear	1	N/A	128627	
87	Snap Ring	1	N/A	210299	
88	SI Curvic Clutch Gear	1	N/A	126840	DD404(P)
			N/A	128926	DD454-P
89	Compression Spring	1	N/A	128614	
90	Shift Fork - (NSS)	1	N/A	128609	
91	Spring Pin	1	N/A	210020	
92	Push Rod	1	N/A	128617	
93	Piston Driver	1	N/A	128640	
94	Set Screw	1	N/A	128618	
95	Piston	1	N/A	128624	
96	O-Ring	1	N/A	210180	
97	Piston Cover	1	N/A	128612	
98	Capscrew - Fix Head Hex	2	N/A	128744	
99	Capscrew	1	N/A	128274	
100	Washer	1	N/A	126618	
101	Switch	1	N/A	210280	
102	Sensor Connector	2	128713	N/A	DA404(P) Models Only
103	Rotor Assembly - 41 Spline	2	128081	N/A	DA404(P) Models Only
104	Sensor Assembly	2	128082	N/A	DA404(P) Models Only
105	Fasteners	4	128074	N/A	DA404(P) Models Only
106	RTV - Sealant	1	107276	107276	

NSS = Not Sold Separately

RING GEAR & PINION KITS

KITS & ASSEMBLIES

**D344/404(P) SINGLE REDUCTION AXLES
DD404(P)/454-P SINGLE REDUCTION AXLES W/DIFF. LOCK
15" HYOPOID GEARING**

RATIO	PART#	TEETH COUNT	RATIO	PART #	TEETH COUNT
2.64	211462	(37-14)	4.11	211470	(37-9)
2.85	211463	(37-13)	4.33	211471	(39-9)
3.08	211464	(37-12)	4.63	211472	(37-8)
3.25	211465	(39-12)	4.88	211473	(39-8)
3.36	211466	(37-11)	5.29	211474	(37-7)
3.55	211467	(39-11)	5.57	211475	(39-7)
3.70	211468	(37-10)	6.17	211476	(37-6)
3.90	211469	(39-10)	6.50	211477	(39-6)

Ring Gear Nut & Bolt Kit	508652	Includes Items 20-21
Oil Seal & Shim Kit	216224	Includes 50, 54 & 127592 Seal
Lockout Cylinder Assy	121905	Includes 64-68
Reverse Air Lockout Assy (IHC)	216048	Includes 72, 74-85
Input Shaft Kit	216226	Includes 42, 44, 55

PARTS LISTED IN THIS CATALOG ARE NOT NECESSARILY MANUFACTURED BY THE ORIGINAL EQUIPMENT MANUFACTURER AND ANY REFERENCE TO THE TRADEMARKS OR PART NUMBERS OF OTHERS ARE FOR CROSS REFERENCE INFORMATIONAL PURPOSES ONLY. THE TRADEMARKS OF OTHERS REFERRED TO HEREIN ARE OWNED BY THEIR RESPECTIVE COMPANIES AND ARE NOT AFFILIATED IN ANY WAY WITH MIDWEST TRUCK & AUTO PARTS, INC.® MOTIVE GEAR® AND WORLD AMERICAN® ARE THE REGISTERED TRADEMARKS OF MIDWEST TRUCK & AUTO PARTS, INC.® USE OF THE ® IN CONNECTION WITH A MARK OF MIDWEST TRUCK & AUTO PARTS, INC.® INDICATES THAT THE MARK IS REGISTERED IN AT LEAST THE UNITED STATES. NO REPRESENTATION IS MADE WITH RESPECT TO THE SOURCE OF MANUFACTURE OF ANY PARTICULAR PART. © 2005, MIDWEST TRUCK & AUTO PARTS, INC.® ALL RIGHTS RESERVED.