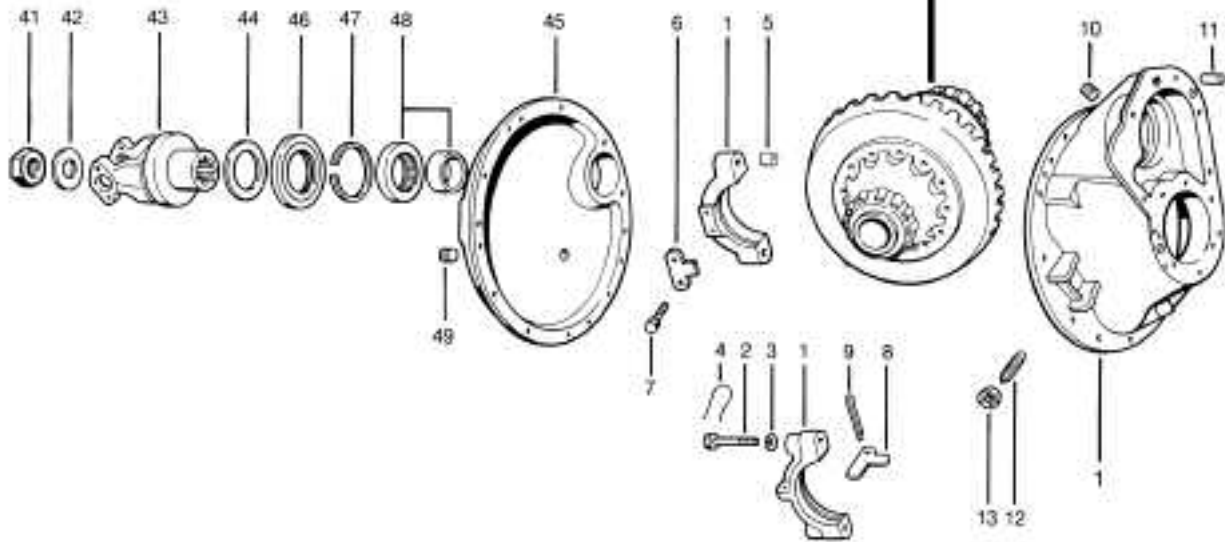
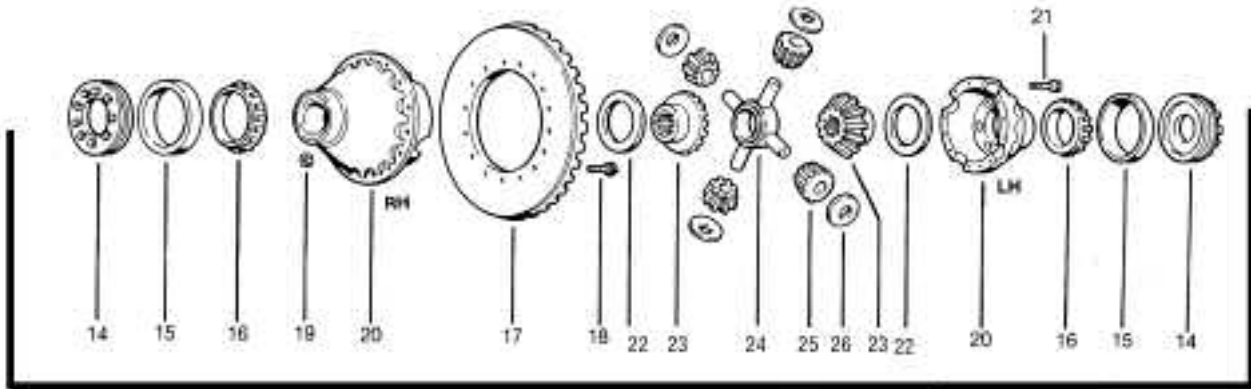


# EATON®

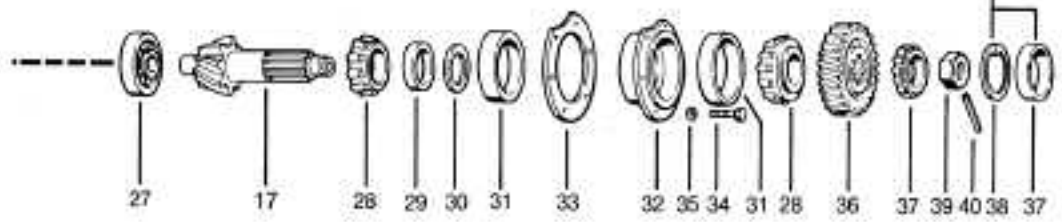
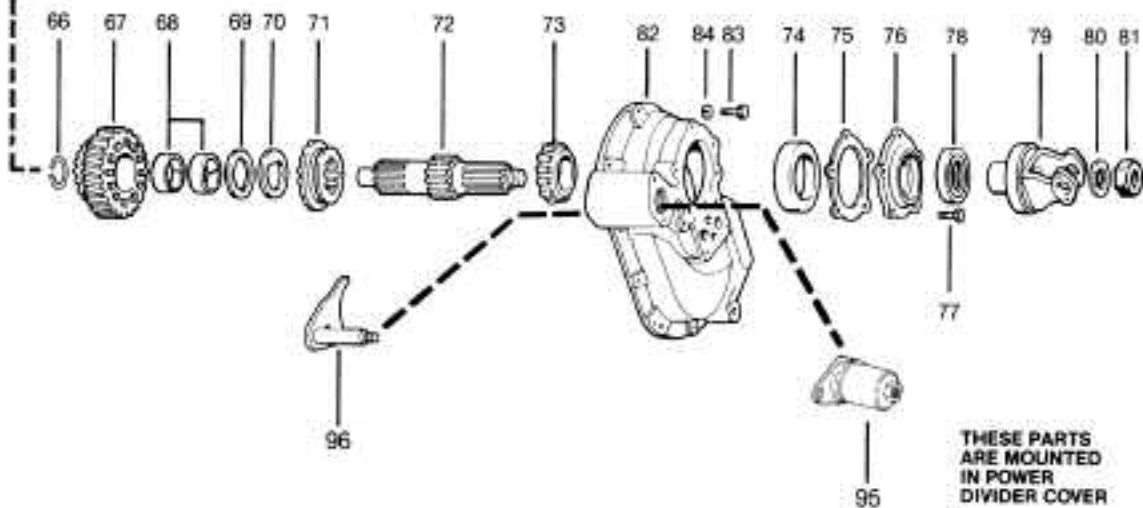
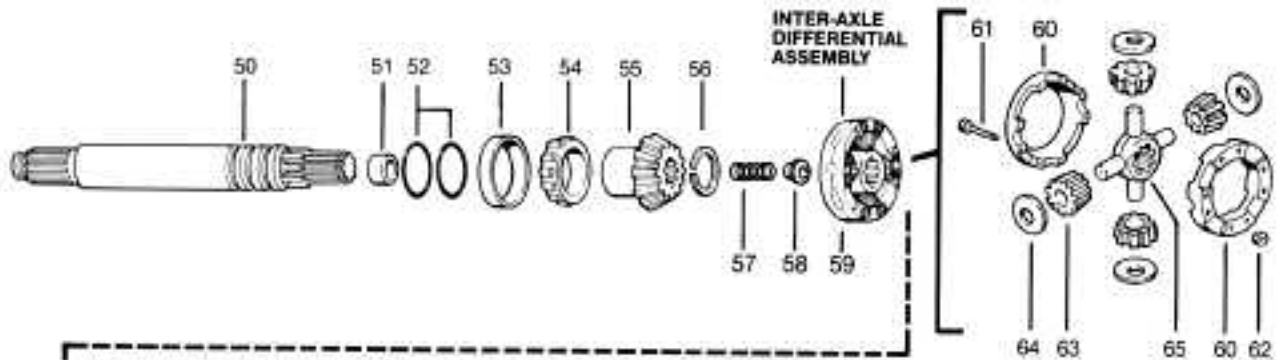
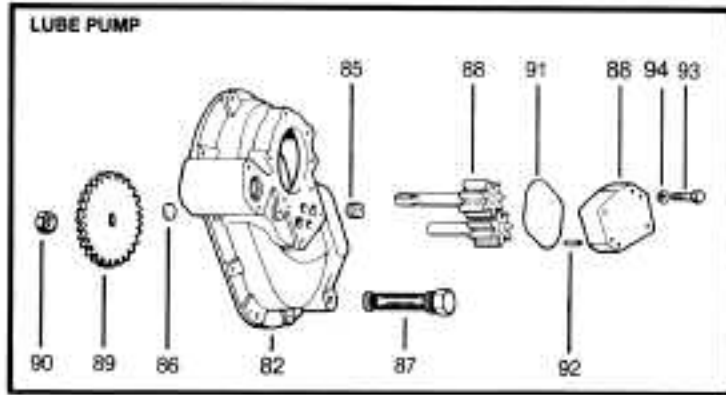
MODELS: DSS461-P, DS521, DS581-P



PARTS LISTED IN THIS CATALOG ARE NOT NECESSARILY MANUFACTURED BY THE ORIGINAL EQUIPMENT MANUFACTURER AND ANY REFERENCE TO THE TRADEMARKS OR PART NUMBERS OF OTHERS ARE FOR CROSS REFERENCE INFORMATIONAL PURPOSES ONLY. THE TRADEMARKS OF OTHERS REFERRED TO HEREIN ARE OWNED BY THEIR RESPECTIVE COMPANIES AND ARE NOT AFFILIATED IN ANY WAY WITH MIDWEST TRUCK & AUTO PARTS, INC.® MOTIVE GEAR® AND WORLD AMERICAN® ARE THE REGISTERED TRADEMARKS OF MIDWEST TRUCK & AUTO PARTS, INC.® USE OF THE ® IN CONNECTION WITH A MARK OF MIDWEST TRUCK & AUTO PARTS, INC.® INDICATES THAT THE MARK IS REGISTERED IN AT LEAST THE UNITED STATES. NO REPRESENTATION IS MADE WITH RESPECT TO THE SOURCE OF MANUFACTURE OF ANY PARTICULAR PART. © 2005, MIDWEST TRUCK & AUTO PARTS, INC.® ALL RIGHTS RESERVED.

# EATON®

MODELS: DS461-P, DS521-P, DS581-P (Cont'd)



THESE PARTS ARE MOUNTED IN POWER DIVIDER COVER

PARTS LISTED IN THIS CATALOG ARE NOT NECESSARILY MANUFACTURED BY THE ORIGINAL EQUIPMENT MANUFACTURER AND ANY REFERENCE TO THE TRADEMARKS OR PART NUMBERS OF OTHERS ARE FOR CROSS REFERENCE INFORMATIONAL PURPOSES ONLY. THE TRADEMARKS OF OTHERS REFERRED TO HEREIN ARE OWNED BY THEIR RESPECTIVE COMPANIES AND ARE NOT AFFILIATED IN ANY WAY WITH MIDWEST TRUCK & AUTO PARTS, INC.® MOTIVE GEAR® AND WORLD AMERICAN® ARE THE REGISTERED TRADEMARKS OF MIDWEST TRUCK & AUTO PARTS, INC.® USE OF THE ® IN CONNECTION WITH A MARK OF MIDWEST TRUCK & AUTO PARTS, INC.® INDICATES THAT THE MARK IS REGISTERED IN AT LEAST THE UNITED STATES. NO REPRESENTATION IS MADE WITH RESPECT TO THE SOURCE OF MANUFACTURE OF ANY PARTICULAR PART. © 2005, MIDWEST TRUCK & AUTO PARTS, INC.® ALL RIGHTS RESERVED.

# EATON®

MODELS: DS461-P, DS521-P, DS581-P

ITEM NO.	PART NAME	QTY PER AXLE	DS461-P DS521-P DS581-P	REMARKS
	<b>Bearing, Seal &amp; Gasket Kit</b>	1	RA208R	
1	Diff. Carrier & Bearing Caps Carrier Casting No. 126070 (NSS)	1	122474	Includes Items 2-5, 10-13
2	Bearing Capscrew	4	32732	
3	Flat Washer	4	32912	
4	Lockwire	4	12563	
5	Dowel Bushing	2	32730	
6	Bearing Cap Adjuster Lock (RH)	1	45448	
7	Capscrew (RH)	2	210601	
8	Bearing Cap Adjuster Lock (LH)	1	14275	
9	Cotter Pin (LH)	1	90876	
10	Filler Plug	1	90325	
11	Carrier Cover Dowel Pin	2	7641	
12	Ring Gear Thrust Screw	1	126193	
13	Thrust Screw Jam Nut	1	210184	
14	Diff. Bearing Adjuster & Cup Assy (RH) (Adjuster 78940) (NSS)	1	79898	Includes Items 15 (RH Only)
	Diff. Bearing Adjuster (LH)	1	21637	
15	Diff. Bearing Cup (RH)	1	653	
	Diff. Bearing Cup (LH)	1	42584	
16	Diff. Bearing Cone (RH)	1	665	
	Diff. Bearing Cone (LH)	1	42381	
17	RING GEAR & DRIVE PINION SET	1	<b>MATCHED PARTS: (SEE SEPARATE LISTING ON PAGE 49)</b>	
	RING GEAR BOLT & NUT KIT	1	70745	Includes Items 18-19
18	Bolt	16	67586	
19	Nut	16	60600	
	WHEEL DIFF. CASE KIT	1	98610	Ratios 3.55-4.11
	Includes Items 20-21	1	121845	Ratios 4.33-6.17
20	Diff. Case (Flanged Half) (NSS)	1	88501	Ratios 3.55-4.11
			126234	Ratios 4.33-6.17
	Diff Case (RH) (NSS)	1	86777	
21	Diff. Case Capscrew	12	85503	
	WHEEL DIFF. SIDE GEAR & PINION KIT	1	114472	Includes Items 22-26
	WHEEL DIFF. KIT LESS SIDE GEARS	1	118749	Includes Items 22, 24-26
22	Side Gear Thrust Washer	2	27247	
23	Diff. Side Gear (36 Involute)	2	93401	
24	Spider	1	86778	
25	Side Pinion	4	86780	
26	Side Pinion Thrust Washer	4	86781	
27	Pinion Pilot Bearing	1	MUS1308UM	
28	Pinion Bearing Cone	2	72212C	
29	Pinion Bearing Spacer Washer	1	78904	
30	Pinion Bearing Spacer	AR		<b>CALL YOUR SALES REP</b>
31	Pinion Bearing Cup	2	72487	
32	Pinion Bearing Cage & Cup Assy Includes Item 31	1	78914	Case (78932)
33	Pinion Bearing Cage Shim	AR		
	.003"		45461	
	.005"		62829	
	.010"		45462	
	.020"		62830	
34	Bearing Cage Capscrew	6	62158	
35	Lockwasher	6	37207	
36	Pinion Helical Gear	1	119995	
37	Outer Pinion Support Bearing & Race	1		MU1309CV
38	Outer Pinion Bearing Snap Ring	1	78937	
39	Pinion Shaft End Nut	1	126182	
40	Pinion Nut Spring Pin	1	118807	

**NSS = Not Sold Separately**

PARTS LISTED IN THIS CATALOG ARE NOT NECESSARILY MANUFACTURED BY THE ORIGINAL EQUIPMENT MANUFACTURER AND ANY REFERENCE TO THE TRADEMARKS OR PART NUMBERS OF OTHERS ARE FOR CROSS REFERENCE INFORMATIONAL PURPOSES ONLY. THE TRADEMARKS OF OTHERS REFERRED TO HEREIN ARE OWNED BY THEIR RESPECTIVE COMPANIES AND ARE NOT AFFILIATED IN ANY WAY WITH MIDWEST TRUCK & AUTO PARTS, INC.® MOTIVE GEAR® AND WORLD AMERICAN® ARE THE REGISTERED TRADEMARKS OF MIDWEST TRUCK & AUTO PARTS, INC.® USE OF THE ® IN CONNECTION WITH A MARK OF MIDWEST TRUCK & AUTO PARTS, INC.® INDICATES THAT THE MARK IS REGISTERED IN AT LEAST THE UNITED STATES. NO REPRESENTATION IS MADE WITH RESPECT TO THE SOURCE OF MANUFACTURE OF ANY PARTICULAR PART. © 2005, MIDWEST TRUCK & AUTO PARTS, INC.® ALL RIGHTS RESERVED.

# EATON®

## MODELS: DS461-P, DS521-P, DS581-P (Cont'd)

ITEM NO.	PART NAME	QTY PER AXLE	DS461-P DS521-P DS581-P	REMARKS
41	Output Shaft Nut	1	210508	
42	Output Shaft Washer	1	210509	
43	Output Yoke	1		<b>CALL YOUR SALES REP</b>
44	Rear Bearing Retaining Washer	1	78922	
45	Axle Housing Cover Assy (Cover 84546) (NSS)	1	107863	Includes Items 46-49
	OIL SEAL & SHIM KIT	1	118111	Includes Items 33, 46, 75, 78 & RTV
46	Output Shaft Oil Seal	1	475012N	
47	Bearing Snap Ring	1	78937	
48	Output Shaft Bearing & Sleeve Assy (Matched Parts)	1	MA1211EL	
49	Magnetic Filler Plug	1	75130	
	Temperature Plug	1	90898	
50	Output Shaft Nut & Snap Ring (Shaft 119991, 41 Splines 2.100" dia.) (NSS)	1	122419	Includes Items 41-42, 51-52, 56
51	Output Shaft Bushing	1	48922	
52	Output Shaft "O" Ring	2	78931	
53	Output Shaft Bearing Cup (Inner)	1	33472	
54	Output Shaft Bearing Cone (Inner)	1	33275	
55	Output Shaft Side Gear	1	78911	
56	Side Gear Snap Ring	1	85994	
57	Output Shaft Compression Spring	1	127095	
58	Output Shaft Thrust Bearing	1	51228	
59	Inter-axle Diff. Assy	1	121681	Includes Items 60-65
	Inter-axle Diff. Case Kit	1	211252	Includes 60-62
60	Case Half (NSS)	2	126151	
61	Case Bolt	8	57636	
62	Case Nut	8	57637	
63	Side Pinion	4	95218	
64	Side Pinion Thrust Washer	4	126180	
65	Spider	1	126152	
66	Helical Side Gear Snap Ring	1	78909	
67	Helical Side Gear & Bushing Assy (Side Gear 113328) (NSS)	1	113331	Includes Item 68
68	Helical Side Gear Bushing	2	75063	
69	Helical Side Gear Thrust Washer	1	79034	
70	Helical Side Gear "D" Washer	1	56360	
71	Lockout Sliding Clutch	1	119948	
72	Input Shaft Kit (Shaft 119990, 46 Splines 2.350" dia.) (NSS)	1	122418	Includes Item 81
73	Input Shaft Bearing Cone	1	JM511946	
74	Input Shaft Bearing Cup	1	JM511910	
75	Input Bearing Cover Shim	AR		
	.003"		78918	
	.005"		78919	
	.010"		78920	
	.020"		113130	
76	Input Bearing Cover, Cup & Oil Seal Assy (Cover 111690) (NSS)	1	111691	Includes Items 74, 78
77	Bearing Cover Capscrew	6	126243	
78	Input Shaft Oil Seal	1	415164N	
79	Input Yoke & Slinger	1		<b>CALL YOUR SALES REP</b>
80	Input Shaft Nut Washer	1	126242	
81	Input Shaft Nut	1	126155	
82	Diff. Carrier Cover Assy (Cover 103526) (NSS)	1	103536	Includes Items 85-86
83	Carrier Cover Capscrew	8	90069	(Short)
		1	9309	(Long)
		1	81855	(Socket Head)
84	Lockwasher	10	90417	

**NSS = Not Sold Separately**

PARTS LISTED IN THIS CATALOG ARE NOT NECESSARILY MANUFACTURED BY THE ORIGINAL EQUIPMENT MANUFACTURER AND ANY REFERENCE TO THE TRADEMARKS OR PART NUMBERS OF OTHERS ARE FOR CROSS REFERENCE INFORMATIONAL PURPOSES ONLY. THE TRADEMARKS OF OTHERS REFERRED TO HEREIN ARE OWNED BY THEIR RESPECTIVE COMPANIES AND ARE NOT AFFILIATED IN ANY WAY WITH MIDWEST TRUCK & AUTO PARTS, INC.® MOTIVE GEAR® AND WORLD AMERICAN® ARE THE REGISTERED TRADEMARKS OF MIDWEST TRUCK & AUTO PARTS, INC.® USE OF THE ® IN CONNECTION WITH A MARK OF MIDWEST TRUCK & AUTO PARTS, INC.® INDICATES THAT THE MARK IS REGISTERED IN AT LEAST THE UNITED STATES. NO REPRESENTATION IS MADE WITH RESPECT TO THE SOURCE OF MANUFACTURE OF ANY PARTICULAR PART. © 2005, MIDWEST TRUCK & AUTO PARTS, INC.® ALL RIGHTS RESERVED.

# EATON®

MODELS: DS461-P, DS521-P, DS581-P (Cont'd)

ITEM NO.	PART NAME	QTY PER AXLE	DS461-P DS521-P DS581-P	REMARKS
85	Pipe Plug	1	90325	
86	Expansion Plug	1	9797	
87	Magnetic Filter Screen	1	102611	
88	LUBE PUMP REPLACEMENT KIT	1	121302	Includes Items 89-94
89	Pump Drive Gear	1	119946	
90	Drive Gear Lockout	1	111451	
91	Cover "O" Ring	1	102620	
92	Cover Dowel Pin	2	102617	
93	Cover Capscrew	4	102618	
94	Lockwasher	4	90419	
95	Air-Operated Lockout Assy	1	123218	CALL YOUR SALES REP
96	Shift Fork & Push Rod Assy	1	103529	CALL YOUR SALES REP
	Gasket Compound	AR	107276	

## RING GEAR & PINION SETS



**FORWARD AXLE**  
**MODEL: DS461-P, DS521-P, DS581-P**

RATIO	PART#	TEETH COUNT
<b>3.55</b>	<b>122667</b>	<b>(39-11)</b>
<b>3.70</b>	<b>122334</b>	<b>(37-10)</b>
<b>3.90</b>	<b>123333</b>	<b>(39-10)</b>
<b>4.11</b>	<b>122335</b>	<b>(37-9)</b>
<b>4.33</b>	<b>122336</b>	<b>(39-9)</b>
<b>4.56</b>	<b>122337</b>	<b>(41-9)</b>
<b>4.88</b>	<b>122338</b>	<b>(39-8)</b>
<b>5.29</b>	<b>211333</b>	<b>(37-7)</b>
<b>5.43</b>	<b>122339</b>	<b>(38-7)</b>
<b>6.17</b>	<b>122340</b>	<b>(37-6)</b>
<b>6.50</b>	<b>212890</b>	<b>(39-6)</b>

PARTS LISTED IN THIS CATALOG ARE NOT NECESSARILY MANUFACTURED BY THE ORIGINAL EQUIPMENT MANUFACTURER AND ANY REFERENCE TO THE TRADEMARKS OR PART NUMBERS OF OTHERS ARE FOR CROSS REFERENCE INFORMATIONAL PURPOSES ONLY. THE TRADEMARKS OF OTHERS REFERRED TO HEREIN ARE OWNED BY THEIR RESPECTIVE COMPANIES AND ARE NOT AFFILIATED IN ANY WAY WITH MIDWEST TRUCK & AUTO PARTS, INC.® MOTIVE GEAR® AND WORLD AMERICAN® ARE THE REGISTERED TRADEMARKS OF MIDWEST TRUCK & AUTO PARTS, INC.® USE OF THE ® IN CONNECTION WITH A MARK OF MIDWEST TRUCK & AUTO PARTS, INC.® INDICATES THAT THE MARK IS REGISTERED IN AT LEAST THE UNITED STATES. NO REPRESENTATION IS MADE WITH RESPECT TO THE SOURCE OF MANUFACTURE OF ANY PARTICULAR PART. © 2005, MIDWEST TRUCK & AUTO PARTS, INC.® ALL RIGHTS RESERVED.