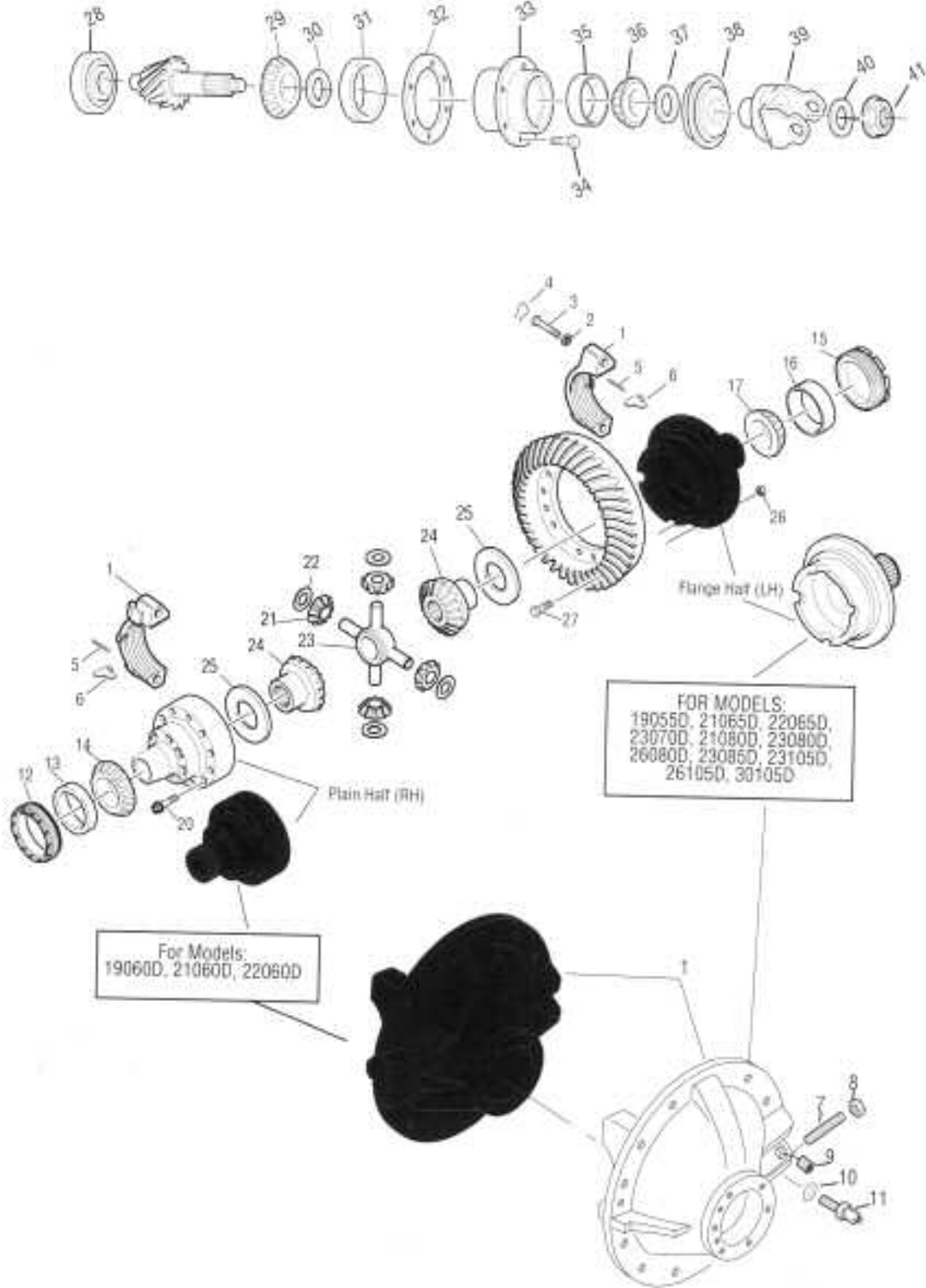


# EATON®

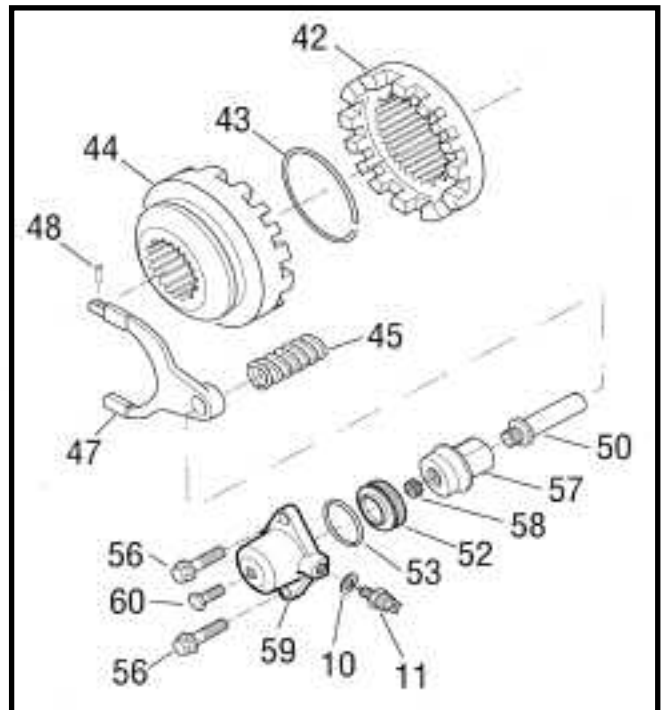
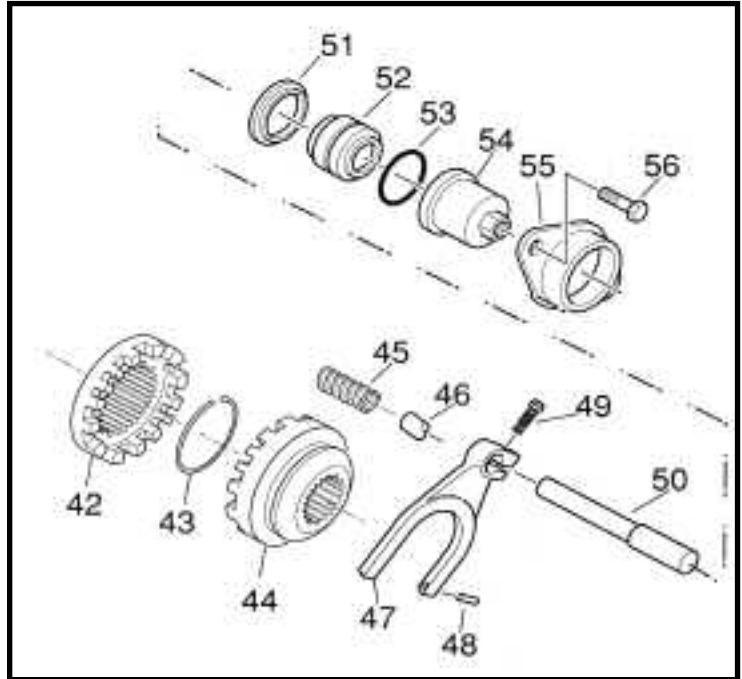
MODELS: 19055D - 19060D - 21060D - 21065D - 21080D - 22060D - 22065D -  
23070D - 23080D 23085D - 23105D - 26080D



PARTS LISTED IN THIS CATALOG ARE NOT NECESSARILY MANUFACTURED BY THE ORIGINAL EQUIPMENT MANUFACTURER AND ANY REFERENCE TO THE TRADEMARKS OR PART NUMBERS OF OTHERS ARE FOR CROSS REFERENCE INFORMATIONAL PURPOSES ONLY. THE TRADEMARKS OF OTHERS REFERRED TO HEREIN ARE OWNED BY THEIR RESPECTIVE COMPANIES AND ARE NOT AFFILIATED IN ANY WAY WITH MIDWEST TRUCK & AUTO PARTS, INC.® MOTIVE GEAR® AND WORLD AMERICAN® ARE THE REGISTERED TRADEMARKS OF MIDWEST TRUCK & AUTO PARTS, INC.® USE OF THE ® IN CONNECTION WITH A MARK OF MIDWEST TRUCK & AUTO PARTS, INC.® INDICATES THAT THE MARK IS REGISTERED IN AT LEAST THE UNITED STATES. NO REPRESENTATION IS MADE WITH RESPECT TO THE SOURCE OF MANUFACTURE OF ANY PARTICULAR PART. © 2005, MIDWEST TRUCK & AUTO PARTS, INC.® ALL RIGHTS RESERVED.

# EATON®

MODELS: 19055D - 19060D - 21060D - 21065D - 21080D - 22060D - 22065D -  
23070D - 23080D 23085D - 23105D - 26080D (Cont'd)



PARTS LISTED IN THIS CATALOG ARE NOT NECESSARILY MANUFACTURED BY THE ORIGINAL EQUIPMENT MANUFACTURER AND ANY REFERENCE TO THE TRADEMARKS OR PART NUMBERS OF OTHERS ARE FOR CROSS REFERENCE INFORMATIONAL PURPOSES ONLY. THE TRADEMARKS OF OTHERS REFERRED TO HEREIN ARE OWNED BY THEIR RESPECTIVE COMPANIES AND ARE NOT AFFILIATED IN ANY WAY WITH MIDWEST TRUCK & AUTO PARTS, INC.® MOTIVE GEAR® AND WORLD AMERICAN® ARE THE REGISTERED TRADEMARKS OF MIDWEST TRUCK & AUTO PARTS, INC.® USE OF THE ® IN CONNECTION WITH A MARK OF MIDWEST TRUCK & AUTO PARTS, INC.® INDICATES THAT THE MARK IS REGISTERED IN AT LEAST THE UNITED STATES. NO REPRESENTATION IS MADE WITH RESPECT TO THE SOURCE OF MANUFACTURE OF ANY PARTICULAR PART. © 2005, MIDWEST TRUCK & AUTO PARTS, INC.® ALL RIGHTS RESERVED.

# EATON®

**MODELS: 19055D - 19060D - 21060D - 21065D - 21080D - 22060D - 22065D -  
23070D - 23080D 23085D - 23105D - 26080D**

ITEM NO.	PART NAME	QTY PER AXLE	19060D 21060D 22060D	19055D 21065D 22065D	23070D	23085D 21080D 23080D 26080D	23105D	
	<b>BASIC OVERHAUL KIT</b>	1	217464	121769	121784	213744	123297	
1	DIFF. CARRIER & BEARING CAPS DIFF. CARR. & CAPS 23105D - (BEFORE 12/07/92)	1	217362	211313	210701	210701	123293	
	CARRIER CASTING NO. (NSS) CARRIER CASTING NO. (BEFORE 5/5/93)	1	128601	126838	210697	210697	128376	
2	FLAT WASHER	4	210288	210288	210288	210288	32912	
3	BEARING CAP SCREW	4		210095	210095	210095	127180	
4	LOCKWIRE						12563	
5	COTTER PIN - RH	1	90873	90873	90873	90873	90876	
	COTTER PIN - LH	1	90873	210464	210464	210464	90876	
6	BEARING CAP ADJUSTER LOCK - RH						14275	
	BEARING CAP ADJUSTER LOCK - LH						126979	
7	RING GEAR THRUST SCREW	1		126193	126193	126193	126193	
8	THRUST SCREW JAM NUT	1		210184	210184	210184	210184	
9	PIPE PLUG	1		90325	90325	90325	90325	
10	WASHER	1	126618	126618	126618	126618	126618	
11	SWITCH	1	210280	210280	210280	210280	210280	
12	DIFF. BEARING ADJUSTER - RH	1	128616	210179	210179	210179	113885	
13	DIFF. BEARING CUP - RH	1	43584	493	493	493	JM822010	
14	DIFF. BEARING CONE - RH	1	42362	497	497	497	JM822049	
15	DIFF. BEARING ADJUSTER - LH	1	127410	210286	210286	210286	126729	
16	DIFF. BEARING CUP - LH	1	563	592A	592A	592A	126924	
17	DIFF. BEARING CONE - LH	1	567	598	598	598	56425	
	WHEEL DIFF. CASE KIT	1	<b>IDENTIFY BY RATIO ITEMS 18, 19 &amp; 20 INCL. IN KIT.</b>					
	3.08 - 3.70				212007	212007		
	3.90 - 4.33				212008	212008		
	4.63 - 6.50				212009			
	3.08 - 3.90						123294	
	4.11 - 4.33						123295	
	4.63 - 6.14						123296	
	3.08 - 3.55			122117				
	3.70 - 4.33			122118				
	4.63 - 7.17			122119				
	2.64 - 3.25		217166					
	3.36 - 3.90		217167					
	4.11 - 4.88		217168					
	5.29 - 6.50		217169					
18	DIFF. CASE (FLANGE HALF) (NSS)							
	3.08 - 3.70				126858	126858		
	3.90 - 4.33				126859	126859		
	4.63 - 6.50				126860			
	3.08 - 3.90						126723	
	4.11 - 4.33						126722	
	4.63 - 6.14						126721	
	3.08 - 3.55			126844				
	3.70 - 4.33			126845				
	4.63 - 7.17			126846				
	2.64 - 3.25		127585					
	3.36 - 3.90		127586					
	4.11 - 4.88		127574					
	5.29 - 6.50		127575					
19	DIFF. CASE (PLAIN HALF) (NSS)	1	128607	210017	210507	210507	113864	
20	DIFF. CASE CAP SCREW	12	128619	210091	210513	210513	88503	
	WHEEL DIFF. KIT	1			121785	121785	114472	
	19055D			114469				
	21/22065D			114470				
	19060D	1	217461					

**NLA** = No Longer Available  
**NSS** = Not Sold Separatel

PARTS LISTED IN THIS CATALOG ARE NOT NECESSARILY MANUFACTURED BY THE ORIGINAL EQUIPMENT MANUFACTURER AND ANY REFERENCE TO THE TRADEMARKS OR PART NUMBERS OF OTHERS ARE FOR CROSS REFERENCE INFORMATIONAL PURPOSES ONLY. THE TRADEMARKS OF OTHERS REFERRED TO HEREIN ARE OWNED BY THEIR RESPECTIVE COMPANIES AND ARE NOT AFFILIATED IN ANY WAY WITH MIDWEST TRUCK & AUTO PARTS, INC.® MOTIVE GEAR® AND WORLD AMERICAN® ARE THE REGISTERED TRADEMARKS OF MIDWEST TRUCK & AUTO PARTS, INC.® USE OF THE ® IN CONNECTION WITH A MARK OF MIDWEST TRUCK & AUTO PARTS, INC.® INDICATES THAT THE MARK IS REGISTERED IN AT LEAST THE UNITED STATES. NO REPRESENTATION IS MADE WITH RESPECT TO THE SOURCE OF MANUFACTURE OF ANY PARTICULAR PART. © 2005, MIDWEST TRUCK & AUTO PARTS, INC.® ALL RIGHTS RESERVED.

# EATON®

**MODELS: 19055D - 19060D - 21060D - 21065D - 21080D - 22060D - 22065D -  
23070D - 23080D 23085D - 23105D - 26080D (Cont'd)**

ITEM NO.	PART NAME	QTY PER AXLE	19060D 21060D 22060D	19055D 21065D 22065D	23070D	23085D 21080D 23080D 26080D	23105D
WHEEL DIFF. CASE KIT (CONTINUED)							
20	21060D	1	216229				
	22060D	1	217462				
21	SIDE PINION	4	127364	104139	108142	108142	86780
22	SIDE PINION THRUST WASHER	4	127369	27810	108145	108145	86781
	RING GEAR BOLT & NUT KIT	1	219704	121772	121790	121790	119802
23	SPIDER	1	127359	38289	210572	210572	86778
	RING GEAR & DRIVE PINION SET	1					
	WHEEL DIFF. LESS SIDE GEAR KIT	1	216228	118748	121786	121786	118749
24	DIFF. SIDE GEAR						
	33 INVOLUTE SPLINES 22060D	2	127366				
	34 INVOLUTE SPLINES	2					
	36 INVOLUTE SPLINES	2			118959	118959	93401
	39 INVOLUTE SPLINES 19055D OR 19060D	2	127367	110525			
	41 INVOLUTE SPLINES 21/22065D OR 21060D	2	127368	110527			
25	SIDE GEAR THRUST WASHER	2	127386	27827	83726	83726	27274
26	NUT	16	126216	126216	126215	126215	84497
27	BOLT	16	126219	126220	126221	126221	113888
28	PINION PILOT BEARING	1	MUB7307UM	MUS13087M	1MUS13087M	127826	MUS1308TM
29	PINION BEARING CONE (INNER)	1	72212C	78215C	H913842	126286	126286
30	PINION BEARING SPACER	AR		<b>CALL YOUR SALES REP</b>			
31	PINION BEARING CUP (INNER)	1	72487	78551	210474	126287	126287
32	PINION BEARING CAGE SHIMS	AR					
	.003"		127595	67920	113876	113876	113876
	.005"		127596	67921	113877	113877	113877
	.010"		127597	67922	113878	113878	113878
	.020"		127598	67923	113879	113879	113879
	.030"		127599	67924	113880	113880	113880
	PINION BEARING CAGE & CUP ASSY	1	127600	210011	210511	127843	126290
33	CAGE (NSS)	1	127481	210010	210510	127844	126289
34	BEARING CAGE CAP SCREW	6	210115	210094	210094	210094	113867
35	PINION BEARING CUP (OUTER)	1	55437	55437	72487	HM813810	HM813810
36	PINION BEARING CONE (OUTER)	1	127535	55200C	72212C	HM813841	HM813841
37	INPUT YOKE SPACER			<b>CALL YOUR SALES REP</b>			
38	PINION OIL SEAL	1	127591	9773	210724	210724	210724
	OIL SEAL & SHIM KIT	1	216225	121773	119796	119796	119796
39	INPUT YOKE	1		<b>CALL YOUR SALES REP</b>			
40	WASHER	1		210509			
41	PINION NUT FLANGED-LOCKNUT	1	127589	127589	210508	128049	95262
42	FIXED CURVIC CLUTCH	1	128627	126841	126841	126841	127810
43	FIXED CURVIC CLUTCH SNAP RING	1	210299	210299	210299	210299	126728
44	SLIDING CURVIC CLUTCH	1			127211	127211	127811
	19055D	1		127210			
	21065D/22065D	1		126840			
	SLIDING CURVIC CLUTCH GEAR 21060D/19060D		126840				
	SLIDING CURVIC CLUTCH GEAR 22060D		128926				
45	COMPRESSION SPRING	1	128614	31038	31038	31038	31038
46	SWITCH ACTUATOR	1		210279	210279	210279	210279
47	SHIFT FORK (NSS)	1	128611	126842	126842	126842	128379
	SHIFT FORK (NSS) 23105D BEFORE 12/7/92						126726
	SHIFT FORK SUB-ASSEMBLY INCL. 47, 48 & 49	1	217465	219456	219456	219456	219457
48	SHIFT FORK SPRING PIN	1	210020	210020	210020	210020	210020

**NLA** = No Longer Available  
**NSS** = Not Sold Separately

PARTS LISTED IN THIS CATALOG ARE NOT NECESSARILY MANUFACTURED BY THE ORIGINAL EQUIPMENT MANUFACTURER AND ANY REFERENCE TO THE TRADEMARKS OR PART NUMBERS OF OTHERS ARE FOR CROSS REFERENCE INFORMATIONAL PURPOSES ONLY. THE TRADEMARKS OF OTHERS REFERRED TO HEREIN ARE OWNED BY THEIR RESPECTIVE COMPANIES AND ARE NOT AFFILIATED IN ANY WAY WITH MIDWEST TRUCK & AUTO PARTS, INC.® MOTIVE GEAR® AND WORLD AMERICAN® ARE THE REGISTERED TRADEMARKS OF MIDWEST TRUCK & AUTO PARTS, INC.® USE OF THE ® IN CONNECTION WITH A MARK OF MIDWEST TRUCK & AUTO PARTS, INC.® INDICATES THAT THE MARK IS REGISTERED IN AT LEAST THE UNITED STATES. NO REPRESENTATION IS MADE WITH RESPECT TO THE SOURCE OF MANUFACTURE OF ANY PARTICULAR PART. © 2005, MIDWEST TRUCK & AUTO PARTS, INC.® ALL RIGHTS RESERVED.

# EATON®

MODELS: 19055D - 19060D - 21060D - 21065D - 21080D - 22060D - 22065D -  
23070D - 23080D 23085D - 23105D - 26080D (Cont'd)

ITEM NO.	PART NAME	QTY PER AXLE	19060D	19055D	23070D	23085D	23105D
			21060D	21065D		21080D	
49	SHIFT FORK CAP SCREW	1		210191	210191	210191	210191
50	PUSH ROD	1	128617	210277	210277	210277	210277
51	SHOULDER WASHER	1		210452	210452	210452	210452
52	PISTON	1	128624	210278	210278	210278	210278
53	O-RING	1	210180	210180	210180	210180	210180
54	SHIFT CYLINDER BODY	1		210640	210640	210640	210640
	<b>DIFF. LOCK SHIFT CYL. ASSY</b>	1		126806	126806	126806	126806
	<b>MOUNTING BRACKET (NSS)</b>	1		127675	127675	127675	127675
56	BRACKET CAP SCREW	2	128744	210182	210182	210182	210182
57	PISTON DRIVER		128640				
58	SET SCREW		128618				
59	PISTON COVER		128612				
60	CAPSCREW		128274				
61	GASKET COMPOUND		107276	107276	107276	107276	107276

**MODEL: 19055S - 19055D - 21065S -  
21065D - 22065S - 22065D  
Drive Pinion Splines - 39, 2.000" Dia.**

RATIO	PART#	TEETH COUNT
<b>3.08</b>	<b>122352</b>	<b>37-12</b>
<b>3.25</b>	<b>122353</b>	<b>39-12</b>
<b>3.36</b>	<b>122354</b>	<b>37-11</b>
<b>3.55</b>	<b>122355</b>	<b>39-11</b>
<b>3.70</b>	<b>122211</b>	<b>37-10</b>
<b>3.90</b>	<b>121775</b>	<b>39-10</b>
<b>4.11</b>	<b>122209</b>	<b>37-9</b>
<b>4.33</b>	<b>122109</b>	<b>39-9</b>
<b>4.63</b>	<b>122099</b>	<b>37-8</b>
<b>4.88</b>	<b>121776</b>	<b>39-8</b>
<b>5.29</b>	<b>121777</b>	<b>37-7</b>
<b>5.57</b>	<b>121778</b>	<b>39-7</b>
<b>5.83</b>	<b>122018</b>	<b>35-6</b>
<b>6.17</b>	<b>121779</b>	<b>37-6</b>
<b>6.50</b>	<b>121780</b>	<b>39-6</b>
<b>7.17</b>	<b>121781</b>	<b>43-6</b>

PARTS LISTED IN THIS CATALOG ARE NOT NECESSARILY MANUFACTURED BY THE ORIGINAL EQUIPMENT MANUFACTURER AND ANY REFERENCE TO THE TRADEMARKS OR PART NUMBERS OF OTHERS ARE FOR CROSS REFERENCE INFORMATIONAL PURPOSES ONLY. THE TRADEMARKS OF OTHERS REFERRED TO HEREIN ARE OWNED BY THEIR RESPECTIVE COMPANIES AND ARE NOT AFFILIATED IN ANY WAY WITH MIDWEST TRUCK & AUTO PARTS, INC.® MOTIVE GEAR® AND WORLD AMERICAN® ARE THE REGISTERED TRADEMARKS OF MIDWEST TRUCK & AUTO PARTS, INC.® USE OF THE ® IN CONNECTION WITH A MARK OF MIDWEST TRUCK & AUTO PARTS, INC.® INDICATES THAT THE MARK IS REGISTERED IN AT LEAST THE UNITED STATES. NO REPRESENTATION IS MADE WITH RESPECT TO THE SOURCE OF MANUFACTURE OF ANY PARTICULAR PART. © 2005, MIDWEST TRUCK & AUTO PARTS, INC.® ALL RIGHTS RESERVED.