

# NUTS, SNAP RINGS, OIL SEALS AND FRONT BEARING COVERS

Nut Pull



Nut Push



Snap Ring



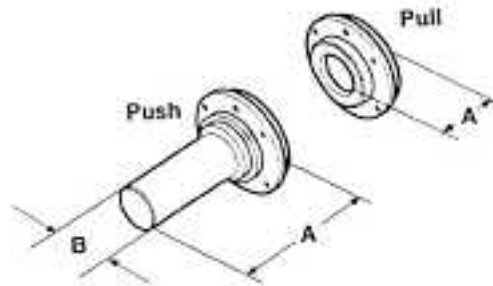
Oil Seal

**TABLE Z1**  
**NUT OR SNAP RING**

ITEM	PART NO.	DESCRIPTION
A	15253	SNAP RING
B	16723	SNAP RING
C	8858	NUT PUSH
D	8997	NUT PUSH
E	11466	NUT PUSH
F	16980	SNAP RING

**TABLE Z2**  
**OIL SEAL**

ITEM	PART NO.	DESCRIPTION
A	18386	OIL SEAL
B	450094N	OIL SEAL - 1-3/4"
C	470737N	OIL SEAL - 2"
D	471571	OIL SEAL
E	452554N	OIL SEAL



**TABLE Z3**  
**FRONT BEARING COVER**

**MODELS: 6609, 610, 613, 6613**

ITEM	PART NO.	DESCRIPTION	A INCHES	B INCHES	SEAL
A	15020	PUSH - 1-3/4"	6.22	2.25	
A	16324	PUSH - 1-3/4"	6.87	2.25	
B	15491	PUSH - 1-1/2"	5.78	1.87	E
B	15647	PUSH - 1-1/2"	7.25	1.94	E
B	15727	PUSH - 1-1/2"	6.22	1.87	E
B	15265	PUSH - 1-1/2"	7.06	1.87	E
B	16277	PUSH - 1-1/2"	6.25	1.94	E
C	15019	PULL - 1-3/4"	1.04		
E	22288	PUSH - 1-1/2"	6.91	1.87	E

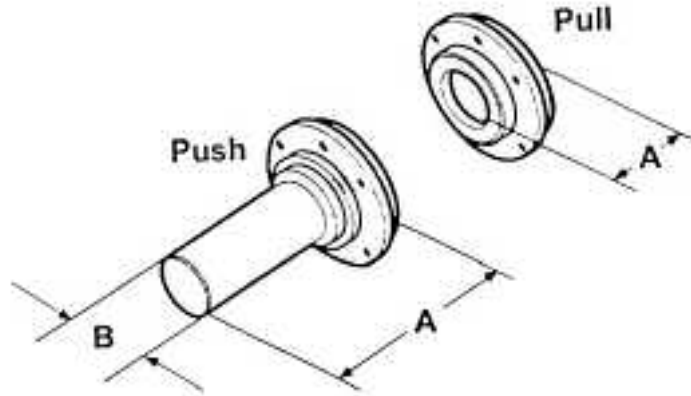
**TABLE Z3**  
**FRONT BEARING COVER**

**MODELS: 8609, 7608LL**

ITEM	PART NO.	DESCRIPTION	A INCHES	B INCHES	SEAL
D	20785	PULL - 2"	1.04		
D	20777	PULL - 1-3/4"	1.04		

PARTS LISTED IN THIS CATALOG ARE NOT NECESSARILY MANUFACTURED BY THE ORIGINAL EQUIPMENT MANUFACTURER AND ANY REFERENCE TO THE TRADEMARKS OR PART NUMBERS OF OTHERS ARE FOR CROSS REFERENCE INFORMATIONAL PURPOSES ONLY. THE TRADEMARKS OF OTHERS REFERRED TO HEREIN ARE OWNED BY THEIR RESPECTIVE COMPANIES AND ARE NOT AFFILIATED IN ANY WAY WITH MIDWEST TRUCK & AUTO PARTS, INC. MOTIVE GEAR® AND WORLD AMERICAN® ARE THE REGISTERED TRADEMARKS OF MIDWEST TRUCK & AUTO PARTS, INC. USE OF THE ® IN CONNECTION WITH A MARK OF MIDWEST TRUCK & AUTO PARTS, INC. INDICATES THAT THE MARK IS REGISTERED IN AT LEAST THE UNITED STATES. NO REPRESENTATION IS MADE WITH RESPECT TO THE SOURCE OF MANUFACTURE OF ANY PARTICULAR PART. © 2005, MIDWEST TRUCK & AUTO PARTS, INC. ALL RIGHTS RESERVED.

# NUTS, SNAP RINGS, OIL SEALS AND FRONT BEARING COVERS



**TABLE Z3 MODELS: 8607, 8608L, 900, 9500, 11500, 11600, 11700, 11800, 12500, 12600, 12700, 14600, 14700, 14800, 15600, 15700, 15800, 16600, 16700, 18700**

## FRONT BEARING COVER

ITEM	PART NO.	DESCRIPTION	A INCHES	B INCHES	SEAL
F	14370	PUSH - 1-3/4"	6.22	2.24	
G	14267	PULL - 1-3/4"	1.04		
H	18699	PULL - 1-3/4" & 2"	1.03		B-C
I	14994	PUSH - 2"	6.00	2.46	
J	15111	PULL - 2"	1.03		
K	15113	PUSH - 2"	6.00	2.46	D
L	20551	PUSH - 1-3/4"	6.22	2.25	
M	20552	PULL - 1-3/4"	1.04		
N	20550	PULL - 2"	1.04		
O	20549	PUSH - 2"	6.00	2.46	
Q	17017	PUSH - 1-3/4"	6.22	2.25	D
R	18791	PUSH - 1-3/4"	6.58	2.12	A
S	18846	PUSH - 2"	6.58	2.36	D
U	18388	PUSH - 1-3/4"	7.09	2.24	A
V	18424	PUSH - 1-3/4"	6.22	2.25	A
W	15458	PUSH - 1-1/2"	5.78	1.87	
X	15459	PUSH - 1-1/2"	6.19	1.87	

PARTS LISTED IN THIS CATALOG ARE NOT NECESSARILY MANUFACTURED BY THE ORIGINAL EQUIPMENT MANUFACTURER AND ANY REFERENCE TO THE TRADEMARKS OR PART NUMBERS OF OTHERS ARE FOR CROSS REFERENCE INFORMATIONAL PURPOSES ONLY. THE TRADEMARKS OF OTHERS REFERRED TO HEREIN ARE OWNED BY THEIR RESPECTIVE COMPANIES AND ARE NOT AFFILIATED IN ANY WAY WITH MIDWEST TRUCK & AUTO PARTS, INC.® MOTIVE GEAR® AND WORLD AMERICAN® ARE THE REGISTERED TRADEMARKS OF MIDWEST TRUCK & AUTO PARTS, INC.® USE OF THE ® IN CONNECTION WITH A MARK OF MIDWEST TRUCK & AUTO PARTS, INC.® INDICATES THAT THE MARK IS REGISTERED IN AT LEAST THE UNITED STATES. NO REPRESENTATION IS MADE WITH RESPECT TO THE SOURCE OF MANUFACTURE OF ANY PARTICULAR PART. © 2005, MIDWEST TRUCK & AUTO PARTS, INC.® ALL RIGHTS RESERVED.