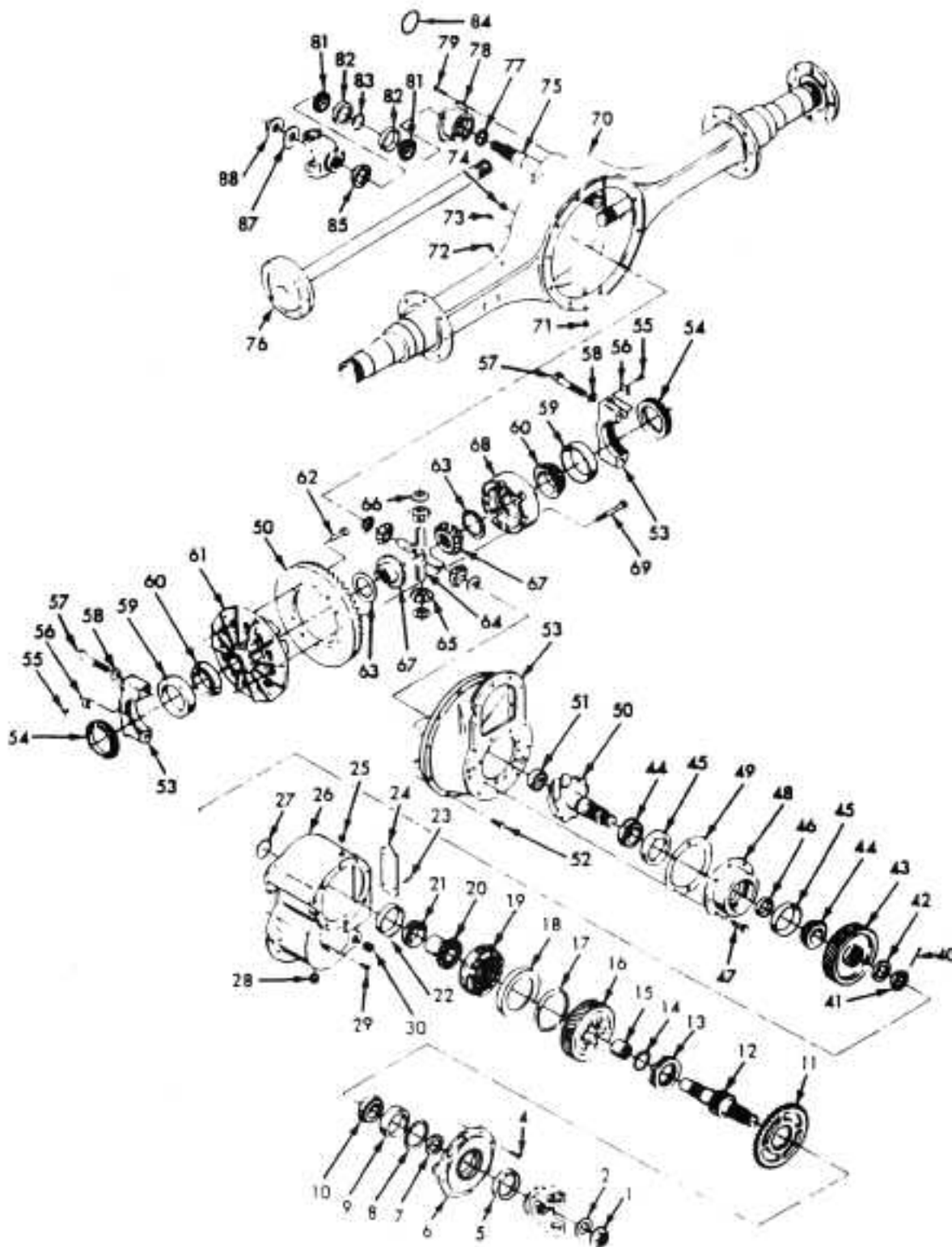


INTERNATIONAL®

N400 FRONT - REAR AXLE



PARTS LISTED IN THIS CATALOG ARE NOT NECESSARILY MANUFACTURED BY THE ORIGINAL EQUIPMENT MANUFACTURER AND ANY REFERENCE TO THE TRADEMARKS OR PART NUMBERS OF OTHERS ARE FOR CROSS REFERENCE INFORMATIONAL PURPOSES ONLY. THE TRADEMARKS OF OTHERS REFERRED TO HEREIN ARE OWNED BY THEIR RESPECTIVE COMPANIES AND ARE NOT AFFILIATED IN ANY WAY WITH MIDWEST TRUCK & AUTO PARTS, INC.® MOTIVE GEAR® AND WORLD AMERICAN® ARE THE REGISTERED TRADEMARKS OF MIDWEST TRUCK & AUTO PARTS, INC.® USE OF THE ® IN CONNECTION WITH A MARK OF MIDWEST TRUCK & AUTO PARTS, INC.® INDICATES THAT THE MARK IS REGISTERED IN AT LEAST THE UNITED STATES. NO REPRESENTATION IS MADE WITH RESPECT TO THE SOURCE OF MANUFACTURE OF ANY PARTICULAR PART. © 2005, MIDWEST TRUCK & AUTO PARTS, INC.® ALL RIGHTS RESERVED.

INTERNATIONAL®

N400 FRONT - REAR AXLE

ITEM NO.	PART NO.	DESCRIPTION	QTY	ITEM NO.	PART NO.	DESCRIPTION	QTY
		AXLE, FWD REAR DANA® N400I 40000 LB. SGL - RED					
1	1696474C1	NUT, FLG INPUT SHAFT	1	30		PLUG, FRT. INTERAXLE DIFF. COVER	
2	390362R1	WASHER, INPUT SHAFT NUT	1		586045C1	W/O CODE 14WLE	1
4	1691240C1	BOLT, HEX-HD 1/2 - 13 UNC X 1-1/4 IN. FRT. BRG. RET.	8		2035618C1	W/CODE 14WLE	1
5	415013N	▲ SEAL, INPUT SHAFT OIL PRIOR TO 7/15/91 7/15/91 AND LATER	1 1	40	19415R1	PIN, PINION NUT ROLL	1
6	1691153C91	RETAINER, FRT. BRG. REPLACEMENT FLANGE FOR TRUCKS BUILT AFTER 7/15/91	1	41	83799	NUT, HEX PINION SHAFT	1
	1693855C1	GASKET ELIMINATOR, 6ML	AR	42	1665324C1	SPACER, PINION NUT	1
7	1665324C1	SPACER, INPUT FLANGE	1	43	1665380C1	GEAR, HELICAL DRIVEN 44T	1
8		SHIM, INTERAXLE DIFF. BRG. .003 IN. THK .005 IN. THK .010 IN. THK .030 IN. THK	AR AR AR AR	44	72225C	▲ BEARING, CONE PINION	2
9	HM 807010	▲ BEARING, CUP INPUT SHAFT	1	45	72487	▲ BEARING, CUP PINION	2
10	HM807049	▲ BEARING, CONE INPUT SHAFT	1	46		SPACER, PINION BRG .718 IN. THK .722 IN. THK .726 IN. THK .730 IN. THK .734 IN. THK .738 IN. THK .742 IN. THK	AR AR AR AR AR AR AR
11	1665308C1	GEAR, OIL PUMP DR	1	47	1691152C1	BOLT, HEX-HD PINION BRG. CAGE	8
12		SHAFT, INPUT W/NUT PRIOR TO 9/1/91 (SN 24591A) 9-1-91 AND LATER (SN 24591A)	1 1	48	1665303C91	CAGE, W/CUPS, PINION BRG.	1
13	1665332C1	COLLAR, SHIFT	1	49		SHIM, PINION BRG. CAGE .003 IN. THK .005 IN. THK .010 IN. THK .030 IN. THK	AR AR AR AR
14	2501605C91	WASHER, THRUST	1	50		// GEAR SET, RING AND PINION 3.06-1 RATIO 3.21-1 RATIO 3.42-1 RATIO 3.54-1 RATIO 3.73-1 RATIO 3.91-1 RATIO 4.10-1 RATIO 4.44-1 RATIO 4.56-1 RATIO 4.78-1 RATIO 4.89-1 RATIO 5.11-1 RATIO 5.25-1 RATIO 5.38-1 RATIO 5.63-1 RATIO 6.14-1 RATIO	1 1 1 1 1 1 1 1 1 1 1 1 1 1 1 1 1 1 1
15	B3624	▲ BEARING, HELICAL DR GEAR NEEDLE	1	51	RU1570UM	▲ BEARING PINION PILOT	1
16	1665309C91	▶ GEAR, HELICAL DR W/BRG 44T	1	52	1691152C1	BOLT, HEX-HD 9/16 - 12UNC X 1-1/2 IN. DIFF. CARRIER	12
17		NOT USED		53	1665304C91	CARRIER W/CAPS, DIFF.	1
18	1665312C1	▶ SLINGER, OIL	1		1693856C1	GASKET ELIMINATOR, 50ML	AR
19	1665307C91	▶ CASE, INTERAXLE DIFF.	1	54	1665313C91	ADJUSTER, DIFF. BRG.	2
20	1665300C1	▶ GEAR, INTERAXLE DIFF. REAR SIDE	1	55	26310R1	BOLT, HEX-HD 3/8 - 16UNC X 1 IN. BRG. ADJ. LK	2
21	JLM710949	▲ BEARING, CONE REAR INPUT SHAFT FOR SERVICE ORDER JLM710949	1	56	1665314C1	LOCK. DIFF. BRG ADJ	2
22	JLM710910	▲ BEARING, CUP REAR INPUT SHAFT FOR SERVICE ORDER JLM710910	1	57	1691245C1	BOLT, HEX-HD, BRG CAP	4
23	26678R1	BOLT, HEX-HD 5/16-18 X 1 IN. OIL PUMP COVER	5	58	25712R1	WASHER, FL 3/4 IN. BRG CAP BOLT	4
24	1665306C1	COVER, OIL PUMP	1	59	495	▲ BEARING, CUP DIFF.	2
25		PLUG, FILLER W/O CODE 14WLE W/CODE 14WLE	1 1	60	493	▲ BEARING, CONE DIFF.	2
26	1665301C91	COVER, INTERAXLE DIFF. HELICAL GEAR	1	61		# CASE, DIFF. FLG HALF	1
27	21003R1	▲ RING, O, INTERAXLE DIFF.	1				
28	1665376C1	PLUG, DRAIN MAGNETIC	1				
29	1691240C1	BOLT, HEX-HD 1/2 - 13UNC X 1-1/4 IN. DIFF. COVER	12				

PARTS LISTED IN THIS CATALOG ARE NOT NECESSARILY MANUFACTURED BY THE ORIGINAL EQUIPMENT MANUFACTURER AND ANY REFERENCE TO THE TRADEMARKS OR PART NUMBERS OF OTHERS ARE FOR CROSS REFERENCE INFORMATIONAL PURPOSES ONLY. THE TRADEMARKS OF OTHERS REFERRED TO HEREIN ARE OWNED BY THEIR RESPECTIVE COMPANIES AND ARE NOT AFFILIATED IN ANY WAY WITH MIDWEST TRUCK & AUTO PARTS, INC.® MOTIVE GEAR® AND WORLD AMERICAN® ARE THE REGISTERED TRADEMARKS OF MIDWEST TRUCK & AUTO PARTS, INC.® USE OF THE ® IN CONNECTION WITH A MARK OF MIDWEST TRUCK & AUTO PARTS, INC.® INDICATES THAT THE MARK IS REGISTERED IN AT LEAST THE UNITED STATES. NO REPRESENTATION IS MADE WITH RESPECT TO THE SOURCE OF MANUFACTURE OF ANY PARTICULAR PART. © 2005, MIDWEST TRUCK & AUTO PARTS, INC.® ALL RIGHTS RESERVED.

INTERNATIONAL[®]

N400 FRONT - REAR AXLE

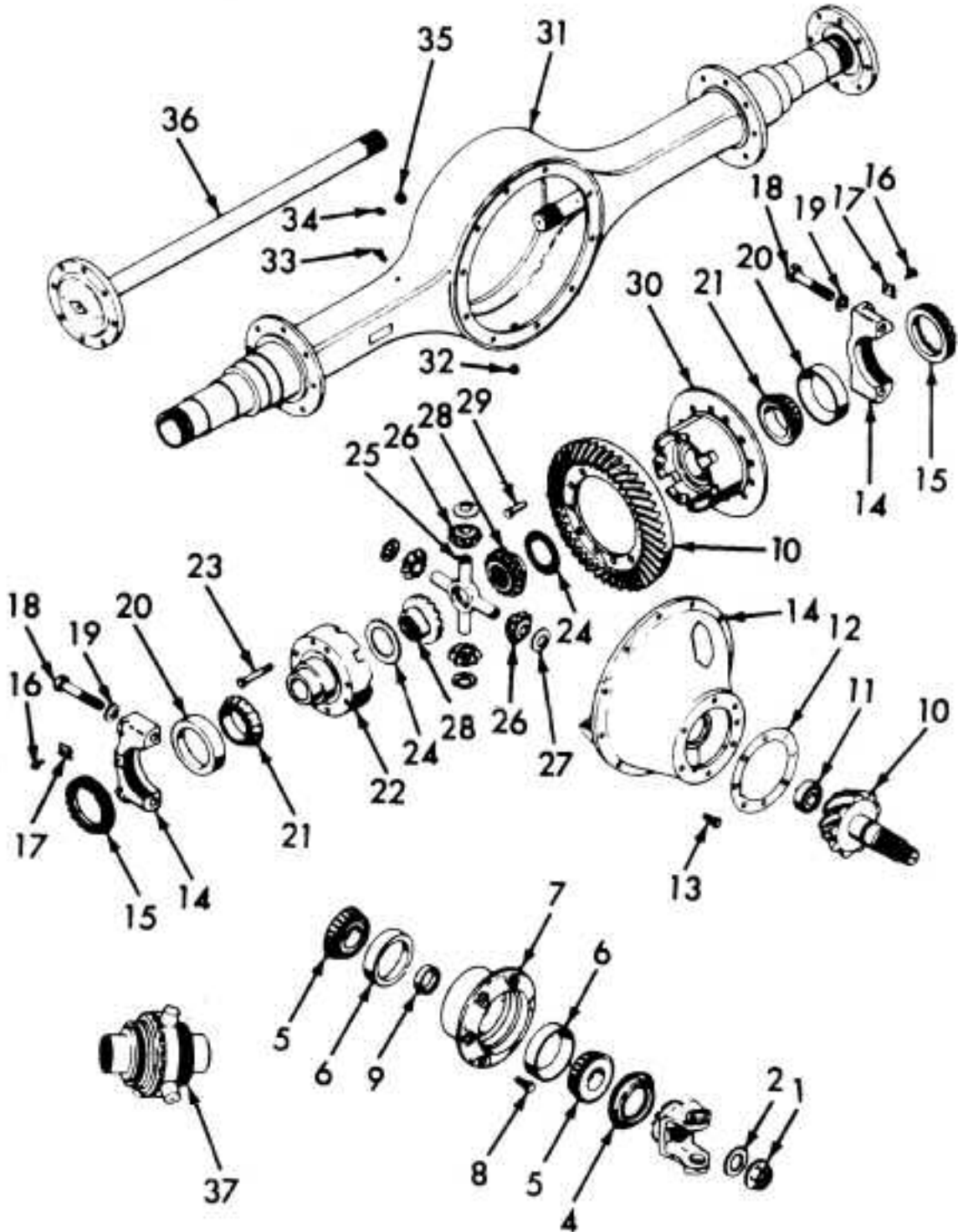
ITEM NO.	PART NO.	DESCRIPTION	QTY
62	157490R1	⊙ RIVET, RING GEAR	12
63	157494R1	@ WASHER, SIDE GEAR THRUST	2
64	864356R2	@ SPIDER, DIFF.	
65	864357R2	@ GEAR, PINION DIFF.	4
66	864360R1	@ WASHER, PINION GEAR THRUST	4
67	571354C1	@ GEAR, DIFF. SIDE - 41 SPL	2
	571357C1	@ GEAR, DIFF. SIDE - 39 SPL	2
68		# CASE, DIFF. PLN HALF	1
69	1691252C1	# BOLT, HEX-HD 9/16 - 12UNC X 3-3/4 IN. DIFF. CASE	8
70		HOUSING, AXLE	
	2660840C1	HEND [®] AIR SUSP INTL SUSP 4-SPG EXC LOW PROFILE SUSP.	1
	1686124C1	W/O ABS	1
	1686124C1	W/ABS	1
	1680593C1	FOR LOW PROFILE SUSP AIR	1
	1660840C1	EXC. LOW PROFILE SUSP FOR LOW PROFILE SUSP	1
	1672319C2	W/O ABS REORDER 2007984C1 HSG AND 1668708C1 TTR-BRKT W/ABS	1
	2018802C1		1
71	586049C1	PLUG, MAGNETIC DRAIN	1
72	91916R91	BREATHER, AXLE HSG	1
73	586046C1	PLUG, TEMP SENDER HOLE	1
74		PLUG, FILLER	
	586045C1	W/O CODE 14WLE	1
	2035618C1	W/CODE 14WLE	1
75	1665379C91	SHAFT, W/NUT, OUTPUT	1
76		SHAFT, AXLE	
	571350C2	W/O CODES 844004, 844006	2
	1615350C1	W/CODE 844004	2
	1694307C1	W/CODE 844006	2
	895493R2	GASKET, AXLE SHAFT FLG W/O CODES 844004, 844006	2
	56152R2	W/CODE 844004	2
	297336C1	W/CODE 844006	2
77	1665378C1	SPACER, OUTPUT SHAFT	1
78	1692929C91	CAGE, OUTPUT SHAFT BRG	1
79	26310R1	BOLT, HEX-HD, BRG CAGE 3/8 - 16UNC X 1 IN.	4
80		NOT USED	
81	A1400	/ CONE, OUTPUT SHAFT BRG	2
82	A1400	/ CUP, OUTPUT SHAFT BRG	2
83		/ RING, SNAP, INNER	1
84		/ RING, SNAP, OUTER	1
85	4624V	▲ SEAL, OIL, OUTPUT SHAFT	1
87	597194C1	WASHER, OUTPUT SHAFT NUT	1
88	1696471C1	NUT, OUTPUT SHAFT FLG	1
89	LF689	FILTER, PUMP	1
	1665311C91	W/CODE 14WAC	
90	1665373C91	SCREEN, PUMP W/CODE 14WAC	1
91	1660842C91	PUMP, LUBE W/CODE 14WAC	1

ITEM NO.	PART NO.	DESCRIPTION	QTY
92		DIFFERENTIAL, NO-SPIN [™]	1
		NOTE: ITEM 92 REPLACES ITEMS 63 THRU 67 WHEN NO-SPIN [™] DIFF IS USED.	
		DIFFERENTIAL, STD	
	1665224C92	3.06-1 RATIO	
	1665225C92	3.21-1 RATIO	
	1665226C92	3.42-1 RATIO	
	1665227C92	3.54-1 RATIO	
	1665228C92	3.73-1 RATIO	
	1665229C92	3.91-1 RATIO	
	1665230C92	4.10-1 RATIO	
	1665231C92	4.44-1 RATIO	
	1665232C92	4.56-1 RATIO	
	1665233C92	4.78-1 RATIO	
	1665234C92	4.89-1 RATIO	
	1665235C92	5.11-1 RATIO	
	1665236C92	5.25-1 RATIO	
	1665237C92	5.38-1 RATIO	
	1665238C92	5.63-1 RATIO	
	1665239C92	6.14-1 RATIO	
	554204C1	* GASKET, SILICONE, 3 OZ. TUBE	
		* NON-ILLUSTRATED	
		// SEE DIFF. CASE LISTING WHEN CHANGING RATIOS	
	1696994C91	⊙ BOLT KIT	
		# CASE, DIFF W/BOLTS	
	1665327C91	3.06 THRU 4.44-1 RATIO	
	1665328C91	4.78 THRU 6.14-1 RATIO	
	1665325C91	▶ KIT, INTERAXLE DIFF. W/GEARS	
	1677057C91	/ KIT, OUTPUT SHAFT BRG	
	585705C91	@ MAIN DIFF KIT - 39 SPL.	
	585706C91	@ MAIN DIFF KIT - 41 SPL. RA223FR	
	▲	BRG AND SEAL KIT	

PARTS LISTED IN THIS CATALOG ARE NOT NECESSARILY MANUFACTURED BY THE ORIGINAL EQUIPMENT MANUFACTURER AND ANY REFERENCE TO THE TRADEMARKS OR PART NUMBERS OF OTHERS ARE FOR CROSS REFERENCE INFORMATIONAL PURPOSES ONLY. THE TRADEMARKS OF OTHERS REFERRED TO HEREIN ARE OWNED BY THEIR RESPECTIVE COMPANIES AND ARE NOT AFFILIATED IN ANY WAY WITH MIDWEST TRUCK & AUTO PARTS, INC.[®] MOTIVE GEAR[®] AND WORLD AMERICAN[®] ARE THE REGISTERED TRADEMARKS OF MIDWEST TRUCK & AUTO PARTS, INC.[®] USE OF THE ⊙ IN CONNECTION WITH A MARK OF MIDWEST TRUCK & AUTO PARTS, INC.[®] INDICATES THAT THE MARK IS REGISTERED IN AT LEAST THE UNITED STATES. NO REPRESENTATION IS MADE WITH RESPECT TO THE SOURCE OF MANUFACTURE OF ANY PARTICULAR PART. © 2005, MIDWEST TRUCK & AUTO PARTS, INC.[®] ALL RIGHTS RESERVED.

INTERNATIONAL®

N400 FRONT - REAR AXLE



PARTS LISTED IN THIS CATALOG ARE NOT NECESSARILY MANUFACTURED BY THE ORIGINAL EQUIPMENT MANUFACTURER AND ANY REFERENCE TO THE TRADEMARKS OR PART NUMBERS OF OTHERS ARE FOR CROSS REFERENCE INFORMATIONAL PURPOSES ONLY. THE TRADEMARKS OF OTHERS REFERRED TO HEREIN ARE OWNED BY THEIR RESPECTIVE COMPANIES AND ARE NOT AFFILIATED IN ANY WAY WITH MIDWEST TRUCK & AUTO PARTS, INC.® MOTIVE GEAR® AND WORLD AMERICAN® ARE THE REGISTERED TRADEMARKS OF MIDWEST TRUCK & AUTO PARTS, INC.® USE OF THE ® IN CONNECTION WITH A MARK OF MIDWEST TRUCK & AUTO PARTS, INC.® INDICATES THAT THE MARK IS REGISTERED IN AT LEAST THE UNITED STATES. NO REPRESENTATION IS MADE WITH RESPECT TO THE SOURCE OF MANUFACTURE OF ANY PARTICULAR PART. © 2005, MIDWEST TRUCK & AUTO PARTS, INC.® ALL RIGHTS RESERVED.

INTERNATIONAL[®]

N400 REAR - REAR AXLE

ITEM NO.	PART NO.	DESCRIPTION	QTY
		AXLE, REAR REAR DANA [®] N400 40000 LB. SGL-RED	
1	1696474C1	NUT, HEX PINION SHAFT	1
2	390362R1	WASHER, PINION SHAFT NUT	1
4	710008	SEAL, OIL PINION @ PRIOR TO 7/15/91	1
	1691143C91	7/15/91 AND LATER	1
5	72225C	@ BEARING CONE PINION	2
6	72487	@ BEARING CUP PINION	2
7	454719C91	CAGE, PINION BRG W/CUPS	1
8	1691152C1	BOLT, PINION BRG CAGE	8
9		SPACER, PINION BRG	
	360453C1	.718 IN. THK	AR
	350457C1	.722 IN. THK	AR
	360461C1	.726 IN. THK	AR
	360465C1	.730 IN. THK	AR
	360469C1	.734 IN. THK	AR
	393975C1	.738 IN. THK	AR
	393979C1	.742 IN. THK	AR
10		// GEAR SET, RING AND PINION	
	1665354C91	3.06-1 RATIO	1
	1665355C91	3.21-1 RATIO	1
	1665356C91	3.42-1 RATIO	1
	1665357C91	3.54-1 RATIO	1
	1665358C91	3.73-1 RATIO	1
	1665359C91	3.91-1 RATIO	1
	1665360C91	4.10-1 RATIO	1
	1665361C91	4.44-1 RATIO	1
	1665363C91	4.78-1 RATIO	1
	1665365C91	5.11-1 RATIO	1
	1665367C91	5.38-1 RATIO	1
	1665368C91	5.63-1 RATIO	1
	1665369C91	6.14-1 RATIO	1
11	RU1570UBM	@ BEARING, PILOT PINION	1
12		SHIM, PINION BRG CAGE	
	896612R1	.005 IN. THK	AR
	157566R1	.010 IN. THK	AR
	157567R1	.030 IN. THK	AR
13	1691152C1	BOLT, CARRIER TO HSG	12
14		CARRIER, DIFF. W/CAPS	
	1665305C91	3.06 THRU 6.14-1 RATIOS	1
	1681583C91	6.25 THRU 7.83-1 RATIOS	1
	1693856C1	GASKET, ELIMINATOR 50ML	1
15	1665313C1	ADJUSTER, DIFF. BRG	2
16	26310R1	BOLT, HEX-HD BRG ADJ. LK	2
17	1665314C1	LOCK, DIFF. BRG ADJ.	2
18	1691245C1	BOLT, HEX-HD BRG CAP	4
19	25712R1	WASHER, FL CAP BOLT	4
20	495	@ BEARING, CUP DIFF.	2
21	493	BEARING, CONE DIFF.	2
22		# CASE, DIFF. PL HALF	1
23	1691252C1	# BOLT, HEX-HD 9/16 X 3-3/4 IN. DIFF. CASE	8
24	157494R1	▶ WASHER, SIDE GEAR THRUST	2
25	864356R2	▶ SPIDER, DIFF.	1
26	864357R2	▶ GEAR, PINION DIFF.	4
27	864360R1	▶ WASHER, SIDE GEAR THRUST	4
28	571354C1	▶ GEAR, SIDE DIFF. 41 SPL.	2
	571357C1	▶ GEAR, SIDE DIFF. 39 SPL.	2

ITEM NO.	PART NO.	DESCRIPTION	QTY
29	157490R1	RIVET, RING GEAR TO DIFF. CASE	12
30		⊙# CASE, DIFF. FLG HALF	1
31		HOUSING, AXLE	
	1686125C1	HEND [®] AIR SUSP 4-SPG	1
	1697104C1	EXC LOW PROFILE	1
	1680594C1	FOR LOW PROFILE	1
		AIR	
		EXC LOW PROFILE	
	1686125C1	W/O ABS SENSOR	1
	1686125C1	W/ABS SENSOR	1
		FOR LOW PROFILE	
	1672320C2	W/O ABS SENSOR	1
		REORDER 2007985C1 HSG AND 1668708C1 TTR BKT	
	2018514C1	W/ABS SENSOR	1
		REORDER 2018513C1 HSG AND 1668708C1 TTR BKT	
32	586049C1	PLUG, MAGNETIC DRAIN	1
33	91916R91	BREATHER, AXLE HSG	1
34	586048C1	PLUG, TEMP	1
35		PLUG, FILLER	
	586045C1	W/O CODE 14WLE	1
	2035618C1	W/CODE 14WLE	1
36		SHAFT AXLE	
	571350C2	EXC CODE 844004	2
	1615350C1	FOR CODE 844004	2
		GASKET, AXLE SHAFT	
	895493R2	EXC CODE 844004	2
	56152R2	FOR CODE 844004	2
37		DIFFERENTIAL, NO-SPIN [™]	1
		NOTE: ITEM 37 REPLACES ITEMS 24 THRU 28 WHEN NO-SPIN [™] DIFF. IS USED.	
		DIFFERENTIAL, STD	
	1665281C92	3.06-1 RATIO	
	1665282C92	3.21-1 RATIO	
	1665283C92	3.42-1 RATIO	
	1665284C92	3.54-1 RATIO	
	1665285C92	3.73-1 RATIO	
	1665386C92	3.91-1 RATIO	
	1665287C92	4.10-1 RATIO	
	1665288C92	4.44-1 RATIO	
	1665290C92	4.78-1 RATIO	
	1665292C92	5.11-1 RATIO	
	1665294C92	5.38-1 RATIO	
	1665295C92	5.63-1 RATIO	
	1665296C92	6.14-1 RATIO	
		// DIFF. CASE LISTINGS WHEN CHANGING RATIOS	
	RA223RR	@ BRG AND SEAL KIT	
		# CASE, DIFF W/BOLTS	
	1665327C91	3.06 THRU 4.44-1 RATIO	
	1665328C91	4.78 THRU 6.14-1 RATIO	
	585705C91	▶ MAIN DIFF. KIT - 39 SPL.	
	585706C91	▶ MAIN DIFF. KIT - 41 SPL.	
	1696994C91	⊙ BOLT KIT	

PARTS LISTED IN THIS CATALOG ARE NOT NECESSARILY MANUFACTURED BY THE ORIGINAL EQUIPMENT MANUFACTURER AND ANY REFERENCE TO THE TRADEMARKS OR PART NUMBERS OF OTHERS ARE FOR CROSS REFERENCE INFORMATIONAL PURPOSES ONLY. THE TRADEMARKS OF OTHERS REFERRED TO HEREIN ARE OWNED BY THEIR RESPECTIVE COMPANIES AND ARE NOT AFFILIATED IN ANY WAY WITH MIDWEST TRUCK & AUTO PARTS, INC.[®] MOTIVE GEAR[®] AND WORLD AMERICAN[®] ARE THE REGISTERED TRADEMARKS OF MIDWEST TRUCK & AUTO PARTS, INC.[®] USE OF THE ⊙ IN CONNECTION WITH A MARK OF MIDWEST TRUCK & AUTO PARTS, INC.[®] INDICATES THAT THE MARK IS REGISTERED IN AT LEAST THE UNITED STATES. NO REPRESENTATION IS MADE WITH RESPECT TO THE SOURCE OF MANUFACTURE OF ANY PARTICULAR PART. © 2005, MIDWEST TRUCK & AUTO PARTS, INC.[®] ALL RIGHTS RESERVED.

