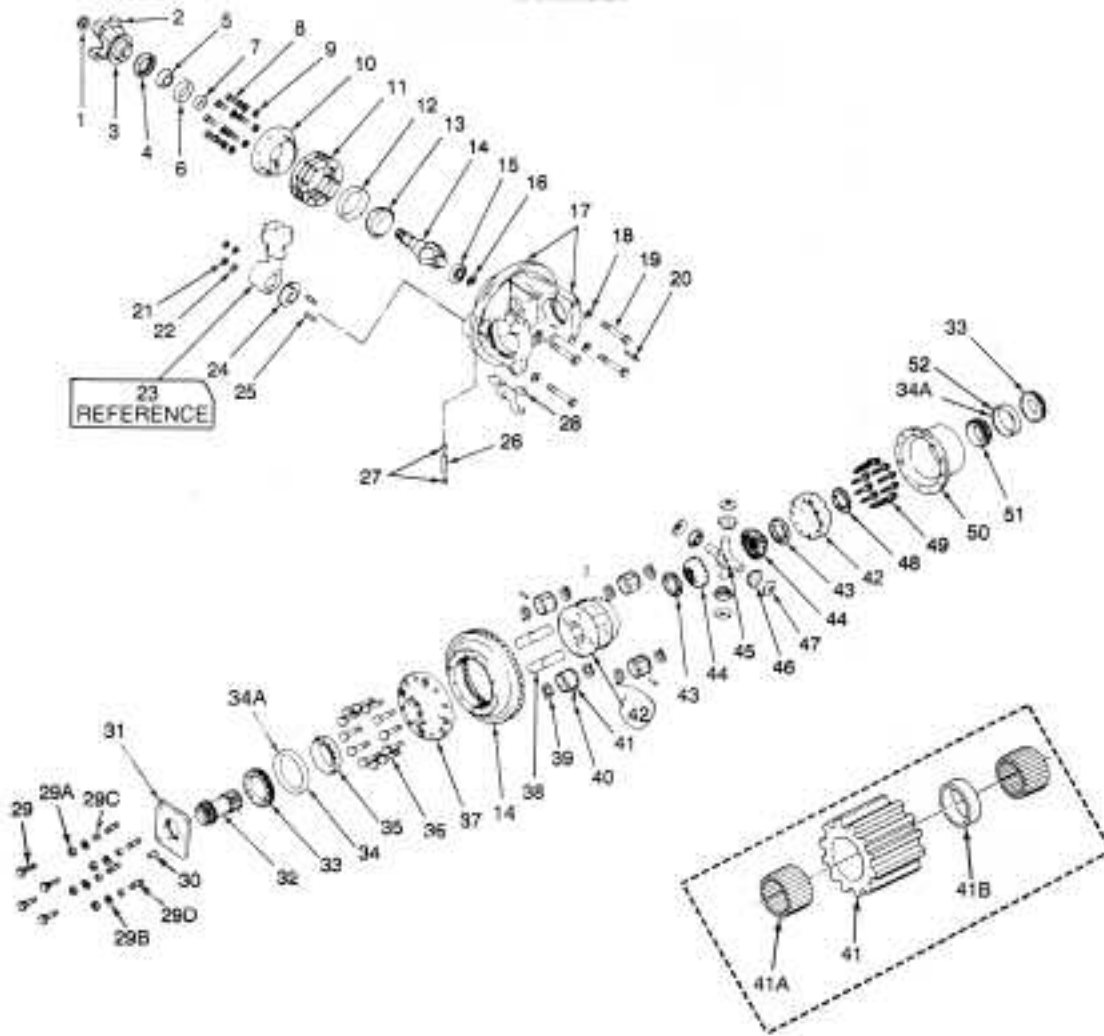


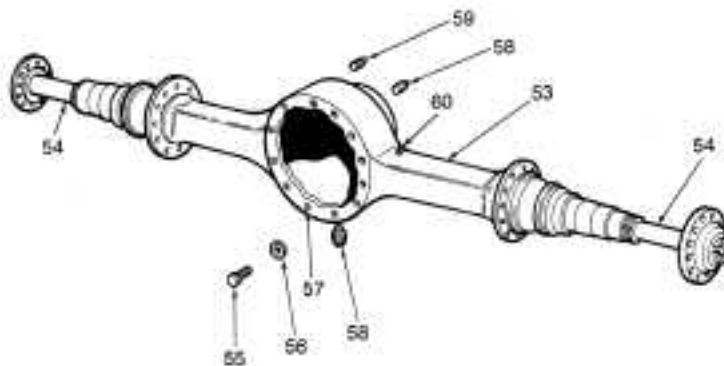
# ROCKWELL®

## 2 SPEED SINGLE AXLES 210, 220, 230 & 240 SERIES

### CARRIER ASSEMBLY



### AXLE HOUSING ASSEMBLY



PARTS LISTED IN THIS CATALOG ARE NOT NECESSARILY MANUFACTURED BY THE ORIGINAL EQUIPMENT MANUFACTURER AND ANY REFERENCE TO THE TRADEMARKS OR PART NUMBERS OF OTHERS ARE FOR CROSS REFERENCE INFORMATIONAL PURPOSES ONLY. THE TRADEMARKS OF OTHERS REFERRED TO HEREIN ARE OWNED BY THEIR RESPECTIVE COMPANIES AND ARE NOT AFFILIATED IN ANY WAY WITH MIDWEST TRUCK & AUTO PARTS, INC.® MOTIVE GEAR® AND WORLD AMERICAN® ARE THE REGISTERED TRADEMARKS OF MIDWEST TRUCK & AUTO PARTS, INC.® USE OF THE ® IN CONNECTION WITH A MARK OF MIDWEST TRUCK & AUTO PARTS, INC.® INDICATES THAT THE MARK IS REGISTERED IN AT LEAST THE UNITED STATES. NO REPRESENTATION IS MADE WITH RESPECT TO THE SOURCE OF MANUFACTURE OF ANY PARTICULAR PART. © 2005, MIDWEST TRUCK & AUTO PARTS, INC.® ALL RIGHTS RESERVED.

# ROCKWELL®

## TWO SPEED AXLES MODELS: 210, 220, 230 AND 240 SERIES

ITEM	DESCRIPTION	MODEL	QTY	PART NUMBER	REMARKS
	<b>Bearing, Seal &amp; Gasket Kit</b>			RA225R	
1	Nut-drive Pinion	All except 240's	1	40X1094	
		RS-23-240	1	40X1095	
2, 3	Input Yoke Assy		1		<b>CALL YOUR SALES REP</b>
3	Deflector-Input Yoke All except 240's		1	2297D3410	
		RS-23-240	1	2297N3888	
4	Oil Seal-Pinion Cage Assy	All except 240's	1	415082N	
		RS-23-240	1	100263	
5	Cone-Drive Pinion Outer Bearing	210's & 220's	1	M804049	
		RS-21-230	1	HM804846	
		RS-23-240	1	55206C	
6	Cup-drive Pinion Outer Bearing	210's & 220's	1	M804010	
		RS-21-230	1	HM804810	
		RS-23-240	1	55437	
7	Spacers-Pinion Bearing	All except 240's	Use 2 as req.	2203D9156 2203E9157 2203F9158 2203G9159 2203H9160 2203J9162 2203K9163 2203L9164 2203M9165 2203N9166 2203P9168	.234 inch/5.94 mm .235 inch/5.97 mm .236 inch/5.99 mm .237 inch/6.02 mm .238 inch/6.04 mm .239 inch/6.07 mm .244 inch/6.20 mm .250 inch/6.35 mm .256 inch/6.35 mm .262 inch/6.65 mm .268 inch/6.81 mm
		RS-23-240 Only	Use 2 as req.	2203C9103 2203D9104 2203E9105 2203F9106 2203G9107 2203H9108 2203J9110 2203K9111 2203L9112 2203M9113 2203N9114	.360 inch/9.14 mm .361 inch/9.17 mm .362 inch/9.19 mm .363 inch/9.22 mm .364 inch/9.25 mm .365 inch/9.27 mm .372 inch/9.45 mm .378 inch/9.60 mm .385 inch/9.78 mm .391 inch/9.93 mm .398 inch/10.11 mm
8	Capscrew-Pinion Bearing Cage	All	8	MS2120401	
9	Washer-Pinion Bearing Cage	All	8	MWA512	
6, 10, 12	Pinion Bearing Cage Assy	210's & 220's	1	A3226R1058	
		RS-21-230	1	A3226S1059	
		RS-23-240	1	A3226U1061	
11	Shims-Pinion Bearing Cage	All except 240's	Use as req.	2203S9171 2203Q9169 2203R9170	<u>.003 inch/.076 mm</u> <u>.005 inch/.127 mm</u> <u>.010 inch/.254 mm</u>
		RS-23-240	Use as req.	2203D9052 2203E9053 2203F9054	<u>.003 inch/.076 mm</u> <u>.005 inch/.127 mm</u> <u>.010 inch/.254 mm</u>
12	Cup-Driven Pinion Inner Bearing	All except 240's	1	55437	
		RS-23-240	1	78551	
13	Cone-Driven Pinion Bearing	All except 240's	1	55200C	
		RS-23-240	1	78225C	

PARTS LISTED IN THIS CATALOG ARE NOT NECESSARILY MANUFACTURED BY THE ORIGINAL EQUIPMENT MANUFACTURER AND ANY REFERENCE TO THE TRADEMARKS OR PART NUMBERS OF OTHERS ARE FOR CROSS REFERENCE INFORMATIONAL PURPOSES ONLY. THE TRADEMARKS OF OTHERS REFERRED TO HEREIN ARE OWNED BY THEIR RESPECTIVE COMPANIES AND ARE NOT AFFILIATED IN ANY WAY WITH MIDWEST TRUCK & AUTO PARTS, INC.® MOTIVE GEAR® AND WORLD AMERICAN® ARE THE REGISTERED TRADEMARKS OF MIDWEST TRUCK & AUTO PARTS, INC.® USE OF THE ® IN CONNECTION WITH A MARK OF MIDWEST TRUCK & AUTO PARTS, INC.® INDICATES THAT THE MARK IS REGISTERED IN AT LEAST THE UNITED STATES. NO REPRESENTATION IS MADE WITH RESPECT TO THE SOURCE OF MANUFACTURE OF ANY PARTICULAR PART. © 2005, MIDWEST TRUCK & AUTO PARTS, INC.® ALL RIGHTS RESERVED.

# ROCKWELL®

## TWO SPEED AXLES

### MODELS: 210, 220, 230 AND 240 SERIES (Cont'd)

ITEM	DESCRIPTION	MODEL	QTY	PART NUMBER	REMARKS
14, 1	Drive Gear Pinion and Nut Assy	RS15-210	Use 1 as req.	A39696-1	4.10 Ratio
				A39698-1	4.56 Ratio
				A39700-1	4.88 Ratio
				A39702-1	5.38 Ratio
				A39704-1	6.14 Ratio
				A39706-1	6.83 Ratio
		RS-17-220	Use 1 as req.	A39726-1	3.91 Ratio
				A39728-1	4.10 Ratio
				A39730-1	4.56 Ratio
				A39732-1	4.88 Ratio
				A39734-1	5.38 Ratio
				A39742-1	6.14 Ratio
		RS-21-230	Use 1 as req.	A39744-1	6.83 Ratio
				A39746-1	7.17 Ratio
				A39766-1	3.91 Ratio
				A39768-1	4.10 Ratio
A39770-1	4.56 Ratio				
A39772-1	4.88 Ratio				
RS-21-230	Use 1 as req.	A39776-1	5.38 Ratio		
		A39926-1	6.50 Ratio		
		A39928-1	6.83 Ratio		
		A39930-1	7.17 Ratio		
		RS23-240	Use 1 as req.	A39952-1	4.10 Ratio
				A39954-1	4.30 Ratio
A39956-1	4.56 Ratio				
A39958-1	4.88 Ratio				
A39962-1	5.38 Ratio				
A39964-1	5.57 Ratio				
15	Bearing-drive Pinion Spigot	RS-15-210	1	MUB1305UDM	
		RS-17-220	1	RU1570UM	
		230's & 240's	1	MUB1307UBM	
16	Snap Ring-Spigot Bearing Retainer	RS-15-210	1	1229W1167	
		All except 210's	1	1229A1301	
17, 18, 19	Differential Carrier and Cap Assy	RS-15-210	1	A2-3200H1568	
		RS-17-220	1	A2-3200D1616	
		RS-21-230	1	A2-3200D1564	
		RS-23-240	1	A2-3200F1566	
18	Washer-Differential Bearing Cap	All except 240's	4	MWA516	
		RS-23-240	4	42X1021	
19	Capscrew-Differential Bearing Cap	210's & 220's	4	MS2161101	
		RS-21-230	4	MS2161301	
		RS-23-240	4	MS2201301	
20	Cotter Pin - Adjusting Ring R.H.	All	1	2297C5151	
21	Nut-Shift Assy to Carrier	All	2	1227D1278	
22	Washer-Shift Assy Stud	All	2	WA17	
23	Shift Assy-Air, Vacuum or Electric	All	1	Reference Only	Supplied by vehicle manufacturer

PARTS LISTED IN THIS CATALOG ARE NOT NECESSARILY MANUFACTURED BY THE ORIGINAL EQUIPMENT MANUFACTURER AND ANY REFERENCE TO THE TRADEMARKS OR PART NUMBERS OF OTHERS ARE FOR CROSS REFERENCE INFORMATIONAL PURPOSES ONLY. THE TRADEMARKS OF OTHERS REFERRED TO HEREIN ARE OWNED BY THEIR RESPECTIVE COMPANIES AND ARE NOT AFFILIATED IN ANY WAY WITH MIDWEST TRUCK & AUTO PARTS, INC.® MOTIVE GEAR® AND WORLD AMERICAN® ARE THE REGISTERED TRADEMARKS OF MIDWEST TRUCK & AUTO PARTS, INC.® USE OF THE ® IN CONNECTION WITH A MARK OF MIDWEST TRUCK & AUTO PARTS, INC.® INDICATES THAT THE MARK IS REGISTERED IN AT LEAST THE UNITED STATES. NO REPRESENTATION IS MADE WITH RESPECT TO THE SOURCE OF MANUFACTURE OF ANY PARTICULAR PART. © 2005, MIDWEST TRUCK & AUTO PARTS, INC.® ALL RIGHTS RESERVED.

# ROCKWELL®

## TWO SPEED AXLES

### MODELS: 210, 220, 230 AND 240 SERIES (Cont'd)

ITEM	DESCRIPTION	MODEL	QTY	PART NUMBER	REMARKS
24	Diaphragm-Shift Unit (Boot Assy)	All	1	A3280M8307	
25	Stud-Shift Assy to Carrier	All	2	SN7141	
26	Pin-Shift Fork	All	1	1246L1026	
27	Plugs-Shift Fork Pin Hole	All	2	1250J1024	
28	Shift Fork Assy	RS-15-210 RS-17-220 RS-21-230 RS-23-240	1 1 1 1	A3296J1024 A3296L1026 A3296N1028 A3296Q1031	
29	Capscrew-Clutch Plate to Carrier	RS-15-210 RS-17-220	4 4	41X1158 41X1157	
29A	Nut-Clutch Plate Stud	230's & 240's	4	40X1091	
29B	Washer-Clutch Plate to Carrier	230's & 240's	4	42X1078	
29C	Dowel-Clutch Plate to Carrier	230's & 240's	4	42X1076	
29D	Stud-Clutch Plate to Carrier	230's & 240's	4	44X1066	
30	Lock Pin L.H. (Clutch Plate)	210's & 220's 230's & 240's	1 1	1246J1024 1246H1022	
31	Clutch Plate	RS-15-210 RS-17-220 RS-21-230 RS-23-240	1 1 1 1	Use KIT 2455 Use KIT 2456 Use KIT 2457 Use KIT 2458	
32	Sun Gear	RS-15-210 RS-17-240 RS-21-230 RS-23-240	1 1 1 1	Use KIT 2455 Use KIT 2456 Use KIT 2457 Use KIT 2458	
33	Adjusting Rings	RS-15-210 RS-17-220 RS-21-230 RS-23-240 210's & 220's 230's & 240's	1 1 1 1 1 1	2214D1044 2214H1048 2214M1053 2214B1042 2214F1046 2214K1051	L.H.    R.H.
34	Cup-Differential Bearing (L.H.)	RS-15-210 RS-17-220 RS-21-230 RS-23-240	1 1 1 1	JM716610 42584 52618 JP12010	
34A	Adhesive-Bearing Cup	All	1	2297T4180	
35	Cone-Differential Bearing (L.H.)	RS-15-210 RS-17-220 RS-21-230 RS-23-240	1 1 1 1	JM716649 42381 52400 JP12049	
36	Capscrew-Support Case to Gear	RS-15-210 RS-17-220 RS-21-230 RS-23-240	8 8 8 8	41X1154 41X1152 41X1151 41X1153	
37	Support Case-Planetary Half (L.H.)	RS-15-210 RS-17-220 RS-21-230 RS-23-240	1 1 1 1	Use KIT 2455 Use KIT 2456 Use KIT 2457 Use KIT 2458	

PARTS LISTED IN THIS CATALOG ARE NOT NECESSARILY MANUFACTURED BY THE ORIGINAL EQUIPMENT MANUFACTURER AND ANY REFERENCE TO THE TRADEMARKS OR PART NUMBERS OF OTHERS ARE FOR CROSS REFERENCE INFORMATIONAL PURPOSES ONLY. THE TRADEMARKS OF OTHERS REFERRED TO HEREIN ARE OWNED BY THEIR RESPECTIVE COMPANIES AND ARE NOT AFFILIATED IN ANY WAY WITH MIDWEST TRUCK & AUTO PARTS, INC.® MOTIVE GEAR® AND WORLD AMERICAN® ARE THE REGISTERED TRADEMARKS OF MIDWEST TRUCK & AUTO PARTS, INC.® USE OF THE ® IN CONNECTION WITH A MARK OF MIDWEST TRUCK & AUTO PARTS, INC.® INDICATES THAT THE MARK IS REGISTERED IN AT LEAST THE UNITED STATES. NO REPRESENTATION IS MADE WITH RESPECT TO THE SOURCE OF MANUFACTURE OF ANY PARTICULAR PART. © 2005, MIDWEST TRUCK & AUTO PARTS, INC.® ALL RIGHTS RESERVED.

# ROCKWELL®

## TWO SPEED AXLES MODELS: 210, 220, 230 AND 240 SERIES (Cont'd)

ITEM	DESCRIPTION	MODEL	QTY	PART NUMBER	REMARKS
38	Shaft-Planetary Pinion	RS-15-210	4	3198C1017	Old style non-needle Bronze replacement (Before Aug. 1991)
		RS-17-220	4	3198U1009	
		RS-21-230	4	3198V1010	
		RS-23-240	4	3198W1011	
		RS-15-210	4	3198A1015	New style needle bearing (After Aug. 1991)
		RS-17-220	4	3198Z1014	
		RS-21-230	4	3198X1012	
		RS-23-240	4	3198Y1013	
39	Thrust Washer-Planetary Pinion	All except 240's	8	1229K3183	Old style non-needle (Before Aug. 1991)
		RS-23-240	8	1229H3180	
		All except 240's	8	1229W3195	New style needle bearing (After Aug. 1991)
		RS-23-240	8	1229V3194	
40	Roll Pin-Planetary Pinion	RS-15-210	4	1246K1025	
		All except 210's	4	1246H1022	
41	Gear-Planetary Pinion	RS-15-210	4	3892G4843	Old style non-needle (Before Aug. 1991)
		RS-17-220	4	3892M4849	
		RS-21-230	4	3892N4850	
		RS-23-240	4	3892U2803	
		RS-15-210	4	3892T4856	New style needle bearing (After Aug. 1991)
		RS-17-220	4	3892S4855	
		RS-21-230	4	3892Q4853	
		RS-23-240	4	3892R4854	
41A	Needle Bearing-Planetary Pinion Shaft	RS-15-210	200	2297E5179	
		220's & 230's	200	2297C5177	
		RS-23-240	224	2297D5178	
41B	Spacer-Needle Bearing	210's & 220's	4	2203E9599	
		RS-21-230	4	2203C9597	
		RS-23-240	4	2203D9598	
42, 49	Differential Case Assy	RS-15-210	1	A3-3235Q1889 (1)	Old style non-needle (Before Aug. 1991)
		RS-17-220	1	A3-3235H1906 (1)	
		RS-21-230	1	A3-3235G1905 (1)	
		RS-23-240	1	A4-3235S1865 (1)	
		RS-15-210	1	A3235Q1889	New Style Needle Bearing (After Aug. 1991)
		RS-17-220	1	A3235H1906	
		RS-21-230	1	A3235G1905	
		RS-23-240	1	A1-3235S1865	
42, 43, 44, 45 46, 47 49	Differential Case and Nest Assy	RS-15-210	1	A4-3235Q1889 (2)	Old style non-needle (Before Aug. 1991)
		RS-17-220	1	A4-3235H1906 (2)	
		RS-21-230	1	A4-3235G1905 (2)	
		RS-23-240	1	A5-3235S1865 (2)	
		RS-15-210	1	A1-3235Q1889	New style needle bearing (After Aug. 1991)
		RS-17-220	1	A1-3235H1906	
		RS-21-230	1	A1-3235G1905	
		RS-23-240	1	A3235S1865	

(1) Includes item numbers 38, 39, 40, 41, 41A, 41B, 42 & 49.

(2) Includes item numbers 38, 39, 40, 41, 41A, 41B, 42, 43, 44, 45, 46, 47, &

PARTS LISTED IN THIS CATALOG ARE NOT NECESSARILY MANUFACTURED BY THE ORIGINAL EQUIPMENT MANUFACTURER AND ANY REFERENCE TO THE TRADEMARKS OR PART NUMBERS OF OTHERS ARE FOR CROSS REFERENCE INFORMATIONAL PURPOSES ONLY. THE TRADEMARKS OF OTHERS REFERRED TO HEREIN ARE OWNED BY THEIR RESPECTIVE COMPANIES AND ARE NOT AFFILIATED IN ANY WAY WITH MIDWEST TRUCK & AUTO PARTS, INC.® MOTIVE GEAR® AND WORLD AMERICAN® ARE THE REGISTERED TRADEMARKS OF MIDWEST TRUCK & AUTO PARTS, INC.® USE OF THE ® IN CONNECTION WITH A MARK OF MIDWEST TRUCK & AUTO PARTS, INC.® INDICATES THAT THE MARK IS REGISTERED IN AT LEAST THE UNITED STATES. NO REPRESENTATION IS MADE WITH RESPECT TO THE SOURCE OF MANUFACTURE OF ANY PARTICULAR PART. © 2005, MIDWEST TRUCK & AUTO PARTS, INC.® ALL RIGHTS RESERVED.

**ROCKWELL®**  
**TWO SPEED AXLES**  
**MODELS: 210, 220, 230 AND 240 SERIES (Cont'd)**

ITEM	DESCRIPTION	MODEL	QTY	PART NUMBER	REMARKS
43	Thrust Washer-Side Gear	210-s & 220's	2	1229Z3172	
		RS-21-230	2	1229T1034	
		RS-23-240	2	1229B3174	
44	Side Gears	RS-15-210	1	2234L1130	L.H. Short Hub
		RS-15-210	1	2234M1131	R.H. Long Hub
		RS-17-220	1	2234T1086	L.H. Short Hub
		RS-17-220	1	2234S1085	R.H. Long Hub
		RS-21-230	1	2234K1077	L.H. Short Hub
		RS-21-230	1	2234M1079	R.H. Long Hub
		RS-23-240	1	2234X1090	L.H. Short Hub
		RS-23-240	1	2234W1089	R.H. Long Hub
45	Spider-Differential Cross	RS-15-210	1	3278Z104	
		RS-17-220	1	3278D82	
		RS-21-230	1	3278H86	
		RS-23-240	1	3278Q1031	
46	Gear-Differential Pinion	RS-15-210	4	2233Q1031	
		RS-17-220	4	2233M1027	
		RS-21-230	4	2233J1024	
		RS-23-240	4	2233P1030	
47	Thrust Washer-Differential Pinion	RS-15-210	4	1229Q2877	
		RS-17-220	4	1229L1026	
		RS-21-230	4	1229R1032	
		RS-23-240	4	1229A3173	
48	Thrust Washer-Differential Case	210's & 220's	1	1229Z3172	
		RS-21-230	1	1229T1034	
		RS-23-240	1	1229B3174	
49	Capscrew-Differential Case	All	12	41-X-1149	
50	Support Case-Plain Half (R.H.)	RS-15-210	1	3280P8310	
		RS-17-220	1	3280G8301	
		RS-21-230	1	3280H8302	
		RS-23-240	1	3280J8304	
51	Cone-Differential Bearing R.H.	210's & 220's	1	JLM714149	
		230's & 240's	1	JM716649	
52	Cup-Differential Bearing R.H.	210's & 220's	1	JLM714110	
		230's & 240's	1	JM716610	
53	Axle-Housing Assy	All	1	As specified	
54	Axle Shafts		2		<b>CALL YOUR SALES REP</b>
55	Capscrew-Carrier to Housing	RS-15-210	12	S2814-1	Short Long
		All except 210's	8	S21014-1	
		All except 210's	4	S21020-1	
56	Washer-Carrier to Housing	RS-15-210	12	1229C1511	
		All except 210's	12	1229U1503	
57	Gasket-Carrier to Housing (Silastic)	All	Use as req.	1199T3842	
58	Plugs-Magnetic	All	2	1250E473	
59	Plug-Head Indicator All	All	P28		
60	Housing Breather Assy	All	1	A1199P1394	

PARTS LISTED IN THIS CATALOG ARE NOT NECESSARILY MANUFACTURED BY THE ORIGINAL EQUIPMENT MANUFACTURER AND ANY REFERENCE TO THE TRADEMARKS OR PART NUMBERS OF OTHERS ARE FOR CROSS REFERENCE INFORMATIONAL PURPOSES ONLY. THE TRADEMARKS OF OTHERS REFERRED TO HEREIN ARE OWNED BY THEIR RESPECTIVE COMPANIES AND ARE NOT AFFILIATED IN ANY WAY WITH MIDWEST TRUCK & AUTO PARTS, INC.® MOTIVE GEAR® AND WORLD AMERICAN® ARE THE REGISTERED TRADEMARKS OF MIDWEST TRUCK & AUTO PARTS, INC.® USE OF THE ® IN CONNECTION WITH A MARK OF MIDWEST TRUCK & AUTO PARTS, INC.® INDICATES THAT THE MARK IS REGISTERED IN AT LEAST THE UNITED STATES. NO REPRESENTATION IS MADE WITH RESPECT TO THE SOURCE OF MANUFACTURE OF ANY PARTICULAR PART. © 2005, MIDWEST TRUCK & AUTO PARTS, INC.® ALL RIGHTS RESERVED.

# ROCKWELL®

## **CARRIER FEATURES CHART**

<b>A34-3200F1488</b>	<b>STANDARD DIFFERENTIAL - NO THRUST SCREW</b>
<b>A30-3200F1488</b>	<b>NO-SPIN™ DIFFERENTIAL - NO THRUST SCREW</b>
<b>A56-3200P1498</b>	<b>HI-TRACTION DIFFERENTIAL - NO THRUST SCREW</b>
<b>A61-3200P1498</b>	<b>MAIN DIFFERENTIAL LOCK - NO THRUST SCREW</b>
<b>A11-3200K1519</b>	<b>STANDARD DIFFERENTIAL - WITH THRUST SCREW</b>
<b>A3-3200M1651</b>	<b>STANDARD DIFFERENTIAL - SPECIAL MACHINED</b>



PARTS LISTED IN THIS CATALOG ARE NOT NECESSARILY MANUFACTURED BY THE ORIGINAL EQUIPMENT MANUFACTURER AND ANY REFERENCE TO THE TRADEMARKS OR PART NUMBERS OF OTHERS ARE FOR CROSS REFERENCE INFORMATIONAL PURPOSES ONLY. THE TRADEMARKS OF OTHERS REFERRED TO HEREIN ARE OWNED BY THEIR RESPECTIVE COMPANIES AND ARE NOT AFFILIATED IN ANY WAY WITH MIDWEST TRUCK & AUTO PARTS, INC.® MOTIVE GEAR® AND WORLD AMERICAN® ARE THE REGISTERED TRADEMARKS OF MIDWEST TRUCK & AUTO PARTS, INC.® USE OF THE ® IN CONNECTION WITH A MARK OF MIDWEST TRUCK & AUTO PARTS, INC.® INDICATES THAT THE MARK IS REGISTERED IN AT LEAST THE UNITED STATES. NO REPRESENTATION IS MADE WITH RESPECT TO THE SOURCE OF MANUFACTURE OF ANY PARTICULAR PART. © 2005, MIDWEST TRUCK & AUTO PARTS, INC.® ALL RIGHTS RESERVED.