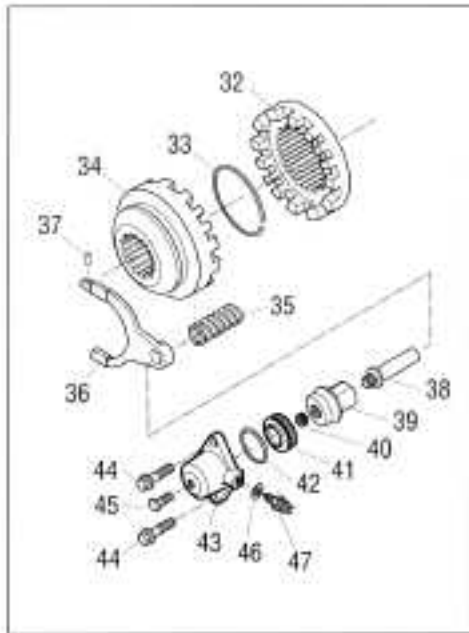


PARTS LISTED IN THIS CATALOG ARE NOT NECESSARILY MANUFACTURED BY THE ORIGINAL EQUIPMENT MANUFACTURER AND ANY REFERENCE TO THE TRADEMARKS OR PART NUMBERS OF OTHERS ARE FOR CROSS REFERENCE INFORMATIONAL PURPOSES ONLY. THE TRADEMARKS OF OTHERS REFERRED TO HEREIN ARE OWNED BY THEIR RESPECTIVE COMPANIES AND ARE NOT AFFILIATED IN ANY WAY WITH MIDWEST TRUCK & AUTO PARTS, INC.® MOTIVE GEAR® AND WORLD AMERICAN® ARE THE REGISTERED TRADEMARKS OF MIDWEST TRUCK & AUTO PARTS, INC.® USE OF THE ® IN CONNECTION WITH A MARK OF MIDWEST TRUCK & AUTO PARTS, INC.® INDICATES THAT THE MARK IS REGISTERED IN AT LEAST THE UNITED STATES. NO REPRESENTATION IS MADE WITH RESPECT TO THE SOURCE OF MANUFACTURE OF ANY PARTICULAR PART. © 2005, MIDWEST TRUCK & AUTO PARTS, INC.® ALL RIGHTS RESERVED.

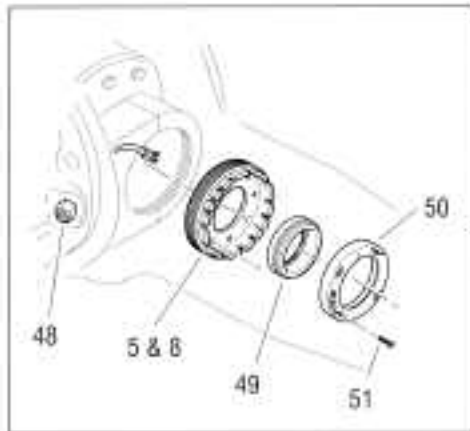
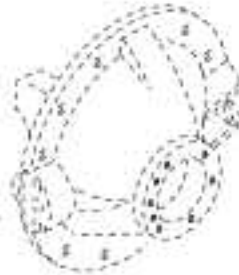
ITEM	DESCRIPTION	QTY	PART NO.	NOTES
1	Axle Shaft	2	A/R	<b>CALL YOUR SALES REP</b>
2	Outer Bearing Adjuster Nut	2	119881	All D/R Models
3	Bearing Adjuster Lockwasher	2	119883	All D/R Models
4	Inner Bearing Adjuster Nut	2	119882	All D/R Models
5	Axle Housing Assy	1		See Your OEM Catalog
6	Breather	1	809560	
7	Plastic Snap Cap	1	126980	
8	Magnetic Drain Plug - 3/4"	1	54254	All D/R Models
9	Stud - Carrier to Housing	4	127641	DS/RS344/404/454
		2	127641	DD/RD404/454
10	Lockwasher - Carrier to Housing	12	90422	All D/R Models
11	Nut - Carrier to Housing	4	127567	RS344/404/454
		2	127567	DD/RD404/454
12	Capscrew (short) - Carrier to Housing	8	210173	All D/R Models (was 127590)
	Capscrew (long)	2	128639	DD/RD404/454
13	Axle Housing Cover Assy	1	217520	Includes (1) Item #24
	Cover casting # 127486C - (NSS)			Forward Axle
14	Capscrew - Housing Cover to Head Assy	8	210135	All Forward Axles
15	Magnetic Plug - 1"	1	127572	
16	Nut - Housing Cover to Head Assy	4	127569	All Forward Axles
17	Lockwasher - Housing Cover to Head Assy	12	210140	All Forward Axles
18	Stud - Housing Cover	4	127568	All Forward Axles
19	Dowel Pin - Housing Cover	1	7641	All Forward Axles
20	OUTPUT SHAFT KIT	1	216227	Includes Items 20-21
	Output Shaft #127646- (NSS)		216227	
21	Locknut - Hex	1	127588	
22	Oil Seal	1	127592	
23	Snap Ring			
	.103	1	127538	
	.109	1	127537	
24	Bearing Cup	2	55437	
25	Bearing Cone	2	55212C	

## KITS AND ASSEMBLIES

PARTS LISTED IN THIS CATALOG ARE NOT NECESSARILY MANUFACTURED BY THE ORIGINAL EQUIPMENT MANUFACTURER AND ANY REFERENCE TO THE TRADEMARKS OR PART NUMBERS OF OTHERS ARE FOR CROSS REFERENCE INFORMATIONAL PURPOSES ONLY. THE TRADEMARKS OF OTHERS REFERRED TO HEREIN ARE OWNED BY THEIR RESPECTIVE COMPANIES AND ARE NOT AFFILIATED IN ANY WAY WITH MIDWEST TRUCK & AUTO PARTS, INC.® MOTIVE GEAR® AND WORLD AMERICAN® ARE THE REGISTERED TRADEMARKS OF MIDWEST TRUCK & AUTO PARTS, INC.® USE OF THE ® IN CONNECTION WITH A MARK OF MIDWEST TRUCK & AUTO PARTS, INC.® INDICATES THAT THE MARK IS REGISTERED IN AT LEAST THE UNITED STATES. NO REPRESENTATION IS MADE WITH RESPECT TO THE SOURCE OF MANUFACTURE OF ANY PARTICULAR PART. © 2005, MIDWEST TRUCK & AUTO PARTS, INC.® ALL RIGHTS RESERVED.



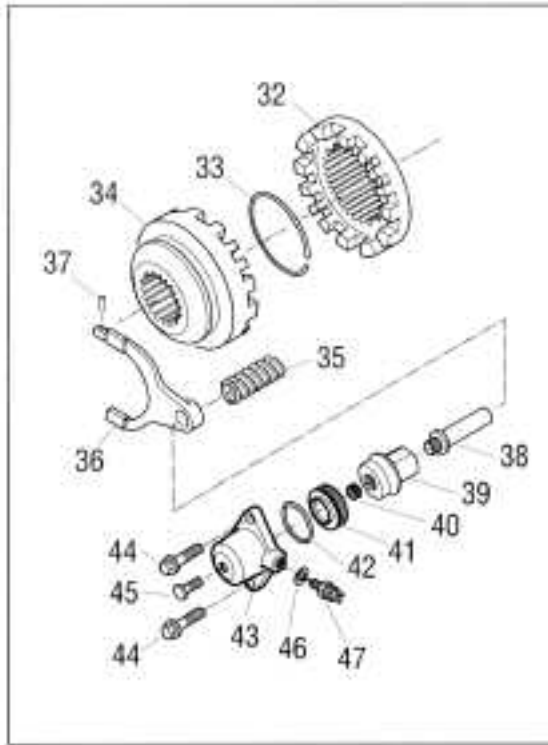
DIFFERENTIAL LOCKUP ASS'Y.



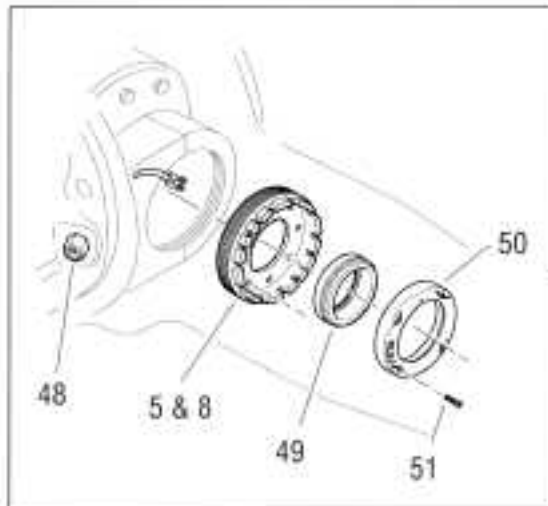
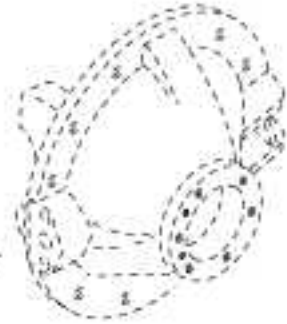
IN AXLE SPEED SENSOR



PARTS LISTED IN THIS CATALOG ARE NOT NECESSARILY MANUFACTURED BY THE ORIGINAL EQUIPMENT MANUFACTURER AND ANY REFERENCE TO THE TRADEMARKS OR PART NUMBERS OF OTHERS ARE FOR CROSS REFERENCE INFORMATIONAL PURPOSES ONLY. THE TRADEMARKS OF OTHERS REFERRED TO HEREIN ARE OWNED BY THEIR RESPECTIVE COMPANIES AND ARE NOT AFFILIATED IN ANY WAY WITH MIDWEST TRUCK & AUTO PARTS, INC.® MOTIVE GEAR® AND WORLD AMERICAN® ARE THE REGISTERED TRADEMARKS OF MIDWEST TRUCK & AUTO PARTS, INC.® USE OF THE ® IN CONNECTION WITH A MARK OF MIDWEST TRUCK & AUTO PARTS, INC.® INDICATES THAT THE MARK IS REGISTERED IN AT LEAST THE UNITED STATES. NO REPRESENTATION IS MADE WITH RESPECT TO THE SOURCE OF MANUFACTURE OF ANY PARTICULAR PART. © 2005, MIDWEST TRUCK & AUTO PARTS, INC.® ALL RIGHTS RESERVED.



DIFFERENTIAL LOCKUP ASS'Y.



IN AXLE SPEED SENSOR



PARTS LISTED IN THIS CATALOG ARE NOT NECESSARILY MANUFACTURED BY THE ORIGINAL EQUIPMENT MANUFACTURER AND ANY REFERENCE TO THE TRADEMARKS OR PART NUMBERS OF OTHERS ARE FOR CROSS REFERENCE INFORMATIONAL PURPOSES ONLY. THE TRADEMARKS OF OTHERS REFERRED TO HEREIN ARE OWNED BY THEIR RESPECTIVE COMPANIES AND ARE NOT AFFILIATED IN ANY WAY WITH MIDWEST TRUCK & AUTO PARTS, INC.® MOTIVE GEAR® AND WORLD AMERICAN® ARE THE REGISTERED TRADEMARKS OF MIDWEST TRUCK & AUTO PARTS, INC.® USE OF THE ® IN CONNECTION WITH A MARK OF MIDWEST TRUCK & AUTO PARTS, INC.® INDICATES THAT THE MARK IS REGISTERED IN AT LEAST THE UNITED STATES. NO REPRESENTATION IS MADE WITH RESPECT TO THE SOURCE OF MANUFACTURE OF ANY PARTICULAR PART. © 2005, MIDWEST TRUCK & AUTO PARTS, INC.® ALL RIGHTS RESERVED.

# EATON®

## RS344 - 404 - 454 (Cont'd)

ITEM	DESCRIPTION	QUANTITY	RS344, RA404 RS404 RS454	RD404 RD454	NOTES
<b>Bearing, Seal &amp; Gasket Kit</b>			RA404RR	217464	
1	Diff. Carrier & Bearing Caps (Includes Items 1-3)	1	216223 217538	217362	RA404 Models Only
2	Flat Washer	4	210288	210288	
3	Capscrew	4	210095	210095	
4	Cotter Pin	2	126156	126156	
5	Diff. Bearing Adjuster - Plain Half	1	127412 128429	128615	RA404 Models Only
6	Bearing Cone - Plain Half	1	497	42362	
7	Bearing Cup - Plain Half	1	493	42584	
8	Diff. Bearing Adjuster - Flange Half	1	127410 128428	127410	RA404 Models Only
9	Bearing Cup - Flange Half	1	563	563	
10	Bearing Cone - Flange Half	1	567	567	
<b>WHEEL DIFF. CASE KITS</b>					
11	Diff. Case-LH (Fig. Half) - (NSS) 127585	1	508653	217166	Ratios 2.64 to 3.25
	Diff. Case-LH (Fig. Half) - (NSS) 127586		508654	217167	Ratios 3.36 to 3.90
	Diff. Case-LH (Fig. Half) - (NSS) 127587		508655	217168	Ratios 4.11 to 4.88
	Diff. Case-LH (Fig. Half) - (NSS) 216233		508656	217169	Ratios 5.29 to 6.50
	(Includes Items 11-13)				
12	Capscrew	12	127465	128619	
13	Diff. Case-RH (Plain Half) - (NSS)	1	127408	128607	<b>Order Kits Listed on Next Page</b>
	WHEEL DIFF. SIDE GEAR KIT		217461		All 344 Models
	(Includes Items 14-18)		216229	216229	All 404 & RS454 Models
				217462	RD454 Models Only
14	Diff. Spider	1	127359	127359	
	RING GEAR NUT & BOLT KIT		121753	121753	Includes Items 19-20
15	Side Pinion	4	127364	127364	
	WHEEL DIFF. KIT W/O SIDE GEARS		216228	216228	
	(INCLUDES ITEMS 15-18)				
16	Side Pinion Thrust Washer	4	127369	127369	
17	Side Gear - 39 Inv. Spline	2		127367	All 344 Models
	41 Inv. Spline		127368	127368	All 404 & RS454 Models
	33 Inv. Spline			127366	RD454 Models Only
18	Side Gear Thrust Washer	2	127386	127386	
19	Nut	16	126216	126216	
20	Bolt	16	126219	126219	
21	Pinion Pilot Bearing	1	MUB7307UM	MUB7307UM	
22	Pinion Bearing Cone - Inner	1	72212C	72212C	
23	Pinion Bearing Spacer	AR	<b>CALL YOUR SALES REP</b>		
24	Pinion Bearing Cage & Cup Assy (Cage #127481C (NSS))	1	127600	127600	Includes Item 24-26
25	Pinion Bearing Cup - Inner	1	72487	72487	
26	Pinion Bearing Cup - Outer	1	55437	55437	
27	Pinion Bearing Cone - Outer	1	55200C	55212C	
28	Capscrew	6	210115	210115	
	OIL SEAL & SHIM KIT		216225	216225	Includes Items 29-30, 52
29	Shim .003	AR	127595	127595	
	Shim .005		127596	127596	
	Shim .010		127597	127597	
	Shim .020		127598	127598	
	Shim .030		127599	127599	
30	Oil Seal	1	127591	127591	

**NSS = Not Sold Separately**

PARTS LISTED IN THIS CATALOG ARE NOT NECESSARILY MANUFACTURED BY THE ORIGINAL EQUIPMENT MANUFACTURER AND ANY REFERENCE TO THE TRADEMARKS OR PART NUMBERS OF OTHERS ARE FOR CROSS REFERENCE INFORMATIONAL PURPOSES ONLY. THE TRADEMARKS OF OTHERS REFERRED TO HEREIN ARE OWNED BY THEIR RESPECTIVE COMPANIES AND ARE NOT AFFILIATED IN ANY WAY WITH MIDWEST TRUCK & AUTO PARTS, INC.® MOTIVE GEAR® AND WORLD AMERICAN® ARE THE REGISTERED TRADEMARKS OF MIDWEST TRUCK & AUTO PARTS, INC.® USE OF THE ® IN CONNECTION WITH A MARK OF MIDWEST TRUCK & AUTO PARTS, INC.® INDICATES THAT THE MARK IS REGISTERED IN AT LEAST THE UNITED STATES. NO REPRESENTATION IS MADE WITH RESPECT TO THE SOURCE OF MANUFACTURE OF ANY PARTICULAR PART. © 2005, MIDWEST TRUCK & AUTO PARTS, INC.® ALL RIGHTS RESERVED.

ITEM	DESCRIPTION	QUANTITY	RS344, RA404		NOTES
			RS404 RS454	RD404 RD454	
31	Pinion Nut	1	127589	127589	
32	Fixed Curvic Clutch Gear	1	N/A	128627	
33	Snap Ring	1	N/A	210299	
34	SL Curvic Clutch Gear	1	N/A	126840	RD404
			N/A	128926	RD454
35	Compression Spring SHIFT FORK ASSY	1	N/A	128614	
36	Shift Fork - 128611C (NSS)	1	N/A	217465	Includes Items 36-37
37	Spring Pin	1	N/A	128609	
38	Push Rod	1	N/A	210020	
39	Piston Driver	1	N/A	128617	
40	Set Screw	1	N/A	128640	
41	Piston	1	N/A	128618	
42	O-Ring	1	N/A	128624	
43	Piston Cover	1	N/A	210180	
44	Capscrew - Flg. Head	1	N/A	128612	
45	Capscrew	2	N/A	128744	
46	Washer	1	N/A	128274	
47	Switch	1	N/A	126618	
48	Sensor Connector	1	N/A	210280	
49	Sensor Assembly	2	128713	N/A	RA404 Models Only
50	Rotor Assembly - 41 Spline	2	128081	N/A	RA404 Models Only
51	Sensor Assembly	2	128082	N/A	RA404 Models Only
52	Fasteners	4	128074	N/A	RA404 Models Only
52	RTV - Sealant	1	107276	107276	Not Illustrated

NSS = Not Sold Separately

### RING GEAR & PINION KITS

**R344/404/454 SINGLE REDUCTION AXLES  
RD404/454 SINGLE REDUCTION AXLES W/DIFF. LOCK  
15" HYPOID GEARING**

RATIO	PART#	TEETH COUNT	RATIO	PART #	TEETH COUNT
<b>2.64</b>	<b>211478</b>	<b>(37-14)</b>	<b>4.11</b>	<b>211486</b>	<b>(37-9)</b>
<b>2.85</b>	<b>211479</b>	<b>(37-13)</b>	<b>4.33</b>	<b>211487</b>	<b>(39-9)</b>
<b>3.08</b>	<b>211480</b>	<b>(37-12)</b>	<b>4.63</b>	<b>211488</b>	<b>(37-8)</b>
<b>3.25</b>	<b>211481</b>	<b>(39-12)</b>	<b>4.88</b>	<b>211489</b>	<b>(39-8)</b>
<b>3.36</b>	<b>211482</b>	<b>(37-11)</b>	<b>5.29</b>	<b>211490</b>	<b>(37-7)</b>
<b>3.55</b>	<b>211483</b>	<b>(39-11)</b>	<b>5.57</b>	<b>211491</b>	<b>(39-7)</b>
<b>3.70</b>	<b>211484</b>	<b>(37-10)</b>	<b>6.17</b>	<b>211492</b>	<b>(37-6)</b>
<b>3.90</b>	<b>211485</b>	<b>(39-10)</b>	<b>6.50</b>	<b>211493</b>	<b>(39-6)</b>

### KITS & ASSEMBLIES

Basic Overhaul Kit - RS & RA Models	RA404RR	Contents Identified With #
Basic Overhaul Kit - RD Models	217464	Contents Identified With #
Oil Seal & Shim Kit	216225	Includes Items 29-30, 52
Ring Gear Nut & Bolt Kit	508652	Includes Items 19-20

PARTS LISTED IN THIS CATALOG ARE NOT NECESSARILY MANUFACTURED BY THE ORIGINAL EQUIPMENT MANUFACTURER AND ANY REFERENCE TO THE TRADEMARKS OR PART NUMBERS OF OTHERS ARE FOR CROSS REFERENCE INFORMATIONAL PURPOSES ONLY. THE TRADEMARKS OF OTHERS REFERRED TO HEREIN ARE OWNED BY THEIR RESPECTIVE COMPANIES AND ARE NOT AFFILIATED IN ANY WAY WITH MIDWEST TRUCK & AUTO PARTS, INC.® MOTIVE GEAR® AND WORLD AMERICAN® ARE THE REGISTERED TRADEMARKS OF MIDWEST TRUCK & AUTO PARTS, INC.® USE OF THE ® IN CONNECTION WITH A MARK OF MIDWEST TRUCK & AUTO PARTS, INC.® INDICATES THAT THE MARK IS REGISTERED IN AT LEAST THE UNITED STATES. NO REPRESENTATION IS MADE WITH RESPECT TO THE SOURCE OF MANUFACTURE OF ANY PARTICULAR PART. © 2005, MIDWEST TRUCK & AUTO PARTS, INC.® ALL RIGHTS RESERVED.