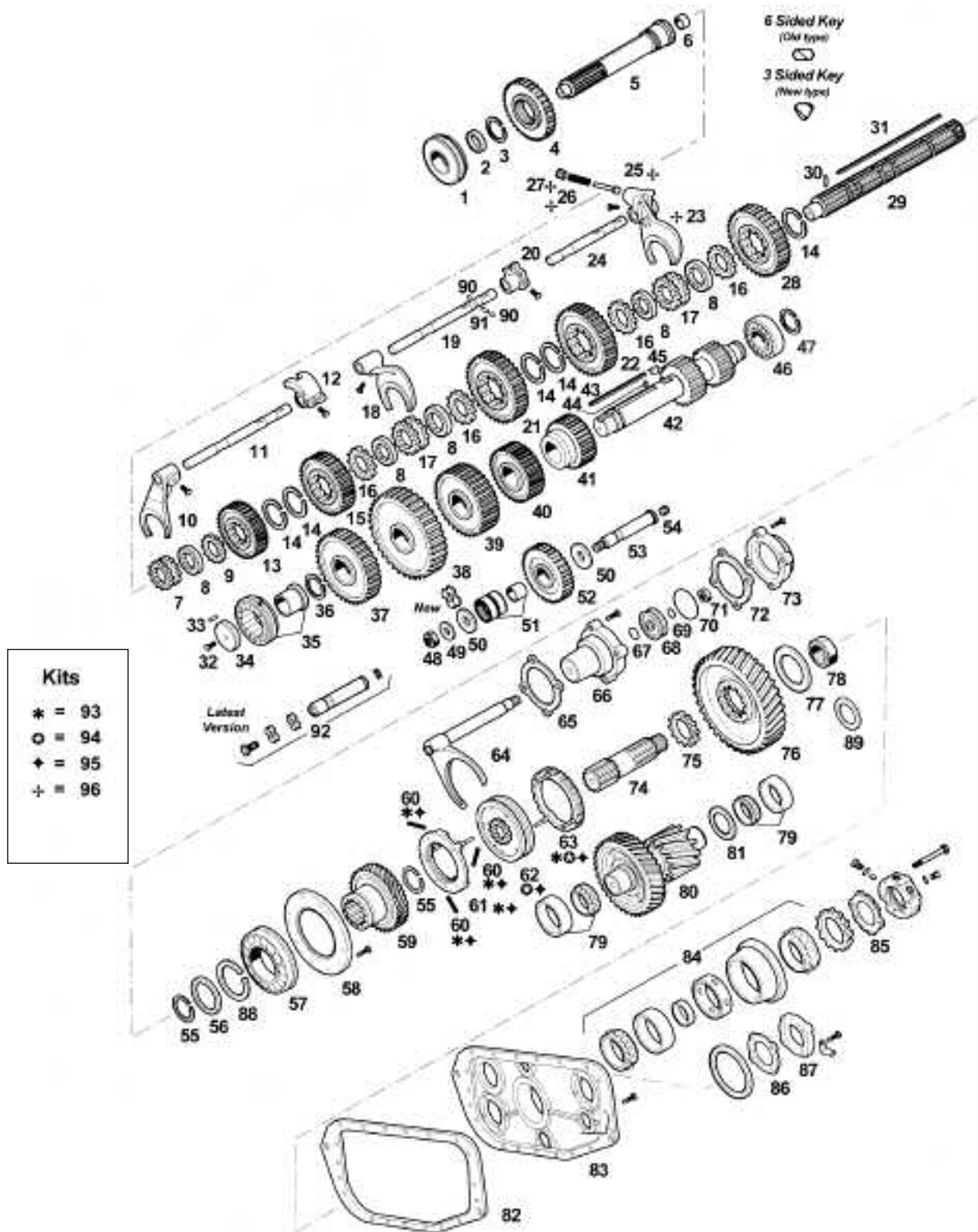


FULLER® 10 SPEED

RTX "B"-15710, RTX "C"-15710, RTX "B"-16710, RTX "C"-16710



PARTS LISTED IN THIS CATALOG ARE NOT NECESSARILY MANUFACTURED BY THE ORIGINAL EQUIPMENT MANUFACTURER AND ANY REFERENCE TO THE TRADEMARKS OR PART NUMBERS OF OTHERS ARE FOR CROSS REFERENCE INFORMATIONAL PURPOSES ONLY. THE TRADEMARKS OF OTHERS REFERRED TO HEREIN ARE OWNED BY THEIR RESPECTIVE COMPANIES AND ARE NOT AFFILIATED IN ANY WAY WITH MIDWEST TRUCK & AUTO PARTS, INC.® MOTIVE GEAR® AND WORLD AMERICAN® ARE THE REGISTERED TRADEMARKS OF MIDWEST TRUCK & AUTO PARTS, INC.® USE OF THE ® IN CONNECTION WITH A MARK OF MIDWEST TRUCK & AUTO PARTS, INC.® INDICATES THAT THE MARK IS REGISTERED IN AT LEAST THE UNITED STATES. NO REPRESENTATION IS MADE WITH RESPECT TO THE SOURCE OF MANUFACTURE OF ANY PARTICULAR PART. © 2005, MIDWEST TRUCK & AUTO PARTS, INC.® ALL RIGHTS RESERVED.

FULLER® 10 SPEED

FIG.	PART#	DESCRIPTION	RTX "B" - 15710	RTX "C" - 15710	RTX "B" - 16710	RTX "C" - 16710
1	212SLV	BEARING	×	×	×	×
2	16463	SPACER	×	×	×	×
3	14750	SNAP RING	×	×	×	×
4	4302086	GEAR MAIN DRIVE	×		×	
4	4300238	GEAR MAIN DRIVE 52T		×		×
5	INPUT SHAFTS (SEE PGS. 323-326)					
6	16566	BUSHING	×	×	×	×
7	22026	SLIDING CLUTCH	×	×	×	×
8	14711	WASHER S.6, 299-6, 350 MM (WHITE-OLD)				
8	14712	WASHER S.6, 426-6, 477 MM (GREEN-OLD)	×	×	×	×
8	14713	WASHER S.6, 553-6, 604 MM (ORANGE-OLD)	×	×	×	×
8	14714	WASHER S.6, 680-6, 731 MM (PURPLE-OLD)	×	×	×	×
8	14715	WASHER S.6, 807-6, 858 MM (YELLOW-OLD)	×	×	×	×
8	14716	WASHER S.6, 934-6, 985 MM (BLACK-OLD)	×	×	×	×
8	4300830	WASHER (BLUE-NEW)	×	×	×	×
8	4300382	WASHER (WHITE-NEW)	×	×	×	×
8	4300383	WASHER (GREEN-NEW)	×	×	×	×
8	4300384	WASHER (ORANGE-NEW)	×	×	×	×
8	4300385	WASHER (PURPLE-NEW)	×	×	×	×
8	4300386	WASHER (YELLOW-NEW)	×	×	×	×
8	4300387	WASHER (BLACK-NEW)	×	×	×	×
9	22032	SPACER	×	×	×	×
10	20450	SHIFT YOKE	×	×	×	×
11	18928	YOKE BAR	×	×	×	×
12	19063	SHIFTING BLOCK	×	×	×	×
13	4302088	GEAR M/S	×		×	
13	4300190	GEAR M/S 42T	×		×	
14	14750	SNAP RING	×	×	×	×
15	20390	GEAR M/S 2ND 56T	×		×	
15	19622	GEAR M/S 2ND SPD 50T		×		
15	4300246	GEAR M/S				×
16	14749	SPACER	×	×	×	×
17	16118	SLIDING CLUTCH	×	×	×	×
18	18922	SHIFT YOKE	×	×	×	×
19	18927	YOKE BAR	×	×	×	×
20	14658	SHIFTING BLOCK	×	×	×	×
21	20389	GEAR M/S 1ST 60T	×		×	
21	20381	GEAR M/S 58T	×			
21	4302104	GEAR M/S				×
22	4300858	GEAR M/S	×		×	
22	4301220	GEAR M/S		×		×
23	16131	REVERSE YOKE	×	×	×	×
24	18926	YOKE BAR	×	×	×	×

PARTS LISTED IN THIS CATALOG ARE NOT NECESSARILY MANUFACTURED BY THE ORIGINAL EQUIPMENT MANUFACTURER AND ANY REFERENCE TO THE TRADEMARKS OR PART NUMBERS OF OTHERS ARE FOR CROSS REFERENCE INFORMATIONAL PURPOSES ONLY. THE TRADEMARKS OF OTHERS REFERRED TO HEREIN ARE OWNED BY THEIR RESPECTIVE COMPANIES AND ARE NOT AFFILIATED IN ANY WAY WITH MIDWEST TRUCK & AUTO PARTS, INC.® MOTIVE GEAR® AND WORLD AMERICAN® ARE THE REGISTERED TRADEMARKS OF MIDWEST TRUCK & AUTO PARTS, INC.® USE OF THE ® IN CONNECTION WITH A MARK OF MIDWEST TRUCK & AUTO PARTS, INC.® INDICATES THAT THE MARK IS REGISTERED IN AT LEAST THE UNITED STATES. NO REPRESENTATION IS MADE WITH RESPECT TO THE SOURCE OF MANUFACTURE OF ANY PARTICULAR PART. © 2005, MIDWEST TRUCK & AUTO PARTS, INC.® ALL RIGHTS RESERVED.

FULLER®

10 SPEED (Cont'd)

FIG.	PART#	DESCRIPTION	RTX "B" - 15710	RTX "C" - 15710	RTX "B" - 16710	RTX "C" - 16710
25	10019	PIN	X	X	X	X
26	6392	SPRING	X	X	X	X
27	8968	PLUG	X	X	X	X
28	23653	REVERSE GEAR	X		X	
28	4301222	REVERSE GEAR		X		X
29	S-2120	MAIN SHAFT ASSY 17T	X	X		
29	S-1884	MAIN SHAFT ASSY			X	X
30	62504	PIN 3X16	X	X	X	X
31	21326	KEY - (OLD)	X	X	X	X
31	4300890	KEY - (NEW)	X	X	X	X
32	X-7-1005	BOLT 5/8"	X	X	X	X
33	62511	PIN	X	X	X	X
34	19548	LOCKING DISK	X	X	X	X
35	MS1309GEXR	BEARING	X	X	X	X
36	19198	SNAP RING	X	X	X	X
37	4302087	GEAR C/S	X		X	
37	21018	GEAR C/S 66T	X		X	
38	15953	GEAR C/S PTO 47T LH PTO (LEFT)	X	X	X	X
38	20840	GEAR C/S PTO 45T RH PTO (RIGHT)	X	X	X	X
39	4302089	GEAR C/S	X		X	
39	4300191	GEAR C/S 73T	X		X	
40	20482	GEAR C/S 2ND 44T	X			
40	21264	GEAR C/S 46T	X			
40	20482	GEAR C/S 2ND 44T			X	
40	4300247	GEAR C/S				X
41	20471	GEAR C/S 1ST 35T	X		X	
41	20382	GEAR C/S 39T	X			
41	4302103	GEAR C/S				X
42	4300860	COUNTERSHAFT	X		X	
42	4301225	COUNTERSHAFT		X		X
43	19673	KEY	X	X	X	X
44	62511	PIN	X	X	X	X
45	X-6-3	KEY	X	X	X	X
46	MU1308TV	BEARING	X	X	X	X
47	14317	SNAP RING	X	X	X	X
48	X-1-1008	NUT	X	X	X	X
49	14283	WASHER	X	X	X	X
50	14282	WASHER - (OLD)	X	X	X	X
50	4302982	WASHER - (NEW)	X	X	X	X
51	FWA1830	BEARING	X	X	X	X
52	16757	REVERSE GEAR 27T	X		X	
52	4301229	REVERSE GEAR		X		X
53	16405	REVERSE GEAR PIN	X	X	X	X
54	5202	PLUG	X	X	X	X
55	16763	SNAP RING	X	X	X	X
56	21320	SNAP RING RETAINER	X	X	X	X
57	118L	BEARING	X	X	X	X
58	16138	RETAINER RING	X	X	X	X

PARTS LISTED IN THIS CATALOG ARE NOT NECESSARILY MANUFACTURED BY THE ORIGINAL EQUIPMENT MANUFACTURER AND ANY REFERENCE TO THE TRADEMARKS OR PART NUMBERS OF OTHERS ARE FOR CROSS REFERENCE INFORMATIONAL PURPOSES ONLY. THE TRADEMARKS OF OTHERS REFERRED TO HEREIN ARE OWNED BY THEIR RESPECTIVE COMPANIES AND ARE NOT AFFILIATED IN ANY WAY WITH MIDWEST TRUCK & AUTO PARTS, INC.® MOTIVE GEAR® AND WORLD AMERICAN® ARE THE REGISTERED TRADEMARKS OF MIDWEST TRUCK & AUTO PARTS, INC.® USE OF THE ® IN CONNECTION WITH A MARK OF MIDWEST TRUCK & AUTO PARTS, INC.® INDICATES THAT THE MARK IS REGISTERED IN AT LEAST THE UNITED STATES. NO REPRESENTATION IS MADE WITH RESPECT TO THE SOURCE OF MANUFACTURE OF ANY PARTICULAR PART. © 2005, MIDWEST TRUCK & AUTO PARTS, INC.® ALL RIGHTS RESERVED.

FULLER®

10 SPEED (Cont'd)

FIG.	PART#	DESCRIPTION	RTX "B" - 15710	RTX "C" - 15710	RTX "B" - 16710	RTX "C" - 16710
59	23159	GEAR AUX. DRIVE	X	X	X	X
60	14897	SPRING	X	X	X	X
61	A-4938	SYNCHRONIZER RING	X	X	X	X
62	20323	SLIDING CLUTCH	X	X	X	X
63	A-4937	SYNCHRONIZER RING	X	X	X	X
64	A-5474	SHIFT YOKE ASSY	X	X	X	X
65	14347	GASKET	X	X	X	X
66	16778	CYLINDER	X	X	X	X
67	14765	O-RING	X	X	X	X
68	14341	PISTON	X	X	X	X
69	14345	O-RING	X	X	X	X
70	14344	O-RING	X	X	X	X
71	X-1-1010	NUT	X	X	X	X
72	14349	GASKET	X	X	X	X
73	19690	CYLINDER COVER	X	X	X	X
74	4300312	OUTPUT SHAFT	X	X	X	X
75	22899	SPACER	X	X	X	X
76	23661	GEAR	X			
76	4301227	GEAR		X		
76	4302092	GEAR			X	
76	4302090	GEAR				X
77	22969	WASHER	X	X	X	X
78	22254	NUT	X	X	X	X
79	ST4276	BEARING	X	X	X	X
80	A-5626	COUNTERSHAFT ASSY	X			
80	A-6073	COUNTERSHAFT ASSY		X		
80	A-6338	COUNTERSHAFT ASSY			X	
80	A-6339	COUNTERSHAFT ASSY				X
81	22903	WASHER	X	X	X	X
82	14335	GASKET	X	X	X	X
83	22900	COVER	X	X	X	X
84	21356	BEARING	X	X	X	X
85	21364	GASKET	X	X	X	X
86	21345	GASKET	X	X	X	X
87	21346	COVER	X	X	X	X
88	16628	SNAP RING	X	X	X	X
89	22969	WASHER	X	X	X	X
90	X-14-1200	BALL	X	X	X	X
91	1634	PIN	X	X	X	X
92	K-3209	IDLER SHAFT REPL. KIT	X	X	X	X
93	K-1946	SYNCHRONIZER KIT	X	X	X	X
94	T20099	SYNCHRO CLUTCH ASSY	X	X	X	X
95	K-1947	SYNCHRO KIT W/SLIDING CLUTCH (OLD)	X	X	X	X
95	K-1948	SYNCHRO KIT W/SLIDING CLUTCH (NEW)	X	X	X	X
96	S-1219	YOKE ASSY	X	X	X	X

CALL YOUR SALES REP FOR BEARING & SEAL KITS

PARTS LISTED IN THIS CATALOG ARE NOT NECESSARILY MANUFACTURED BY THE ORIGINAL EQUIPMENT MANUFACTURER AND ANY REFERENCE TO THE TRADEMARKS OR PART NUMBERS OF OTHERS ARE FOR CROSS REFERENCE INFORMATIONAL PURPOSES ONLY. THE TRADEMARKS OF OTHERS REFERRED TO HEREIN ARE OWNED BY THEIR RESPECTIVE COMPANIES AND ARE NOT AFFILIATED IN ANY WAY WITH MIDWEST TRUCK & AUTO PARTS, INC.® MOTIVE GEAR® AND WORLD AMERICAN® ARE THE REGISTERED TRADEMARKS OF MIDWEST TRUCK & AUTO PARTS, INC.® USE OF THE ® IN CONNECTION WITH A MARK OF MIDWEST TRUCK & AUTO PARTS, INC.® INDICATES THAT THE MARK IS REGISTERED IN AT LEAST THE UNITED STATES. NO REPRESENTATION IS MADE WITH RESPECT TO THE SOURCE OF MANUFACTURE OF ANY PARTICULAR PART. © 2005, MIDWEST TRUCK & AUTO PARTS, INC.® ALL RIGHTS RESERVED.