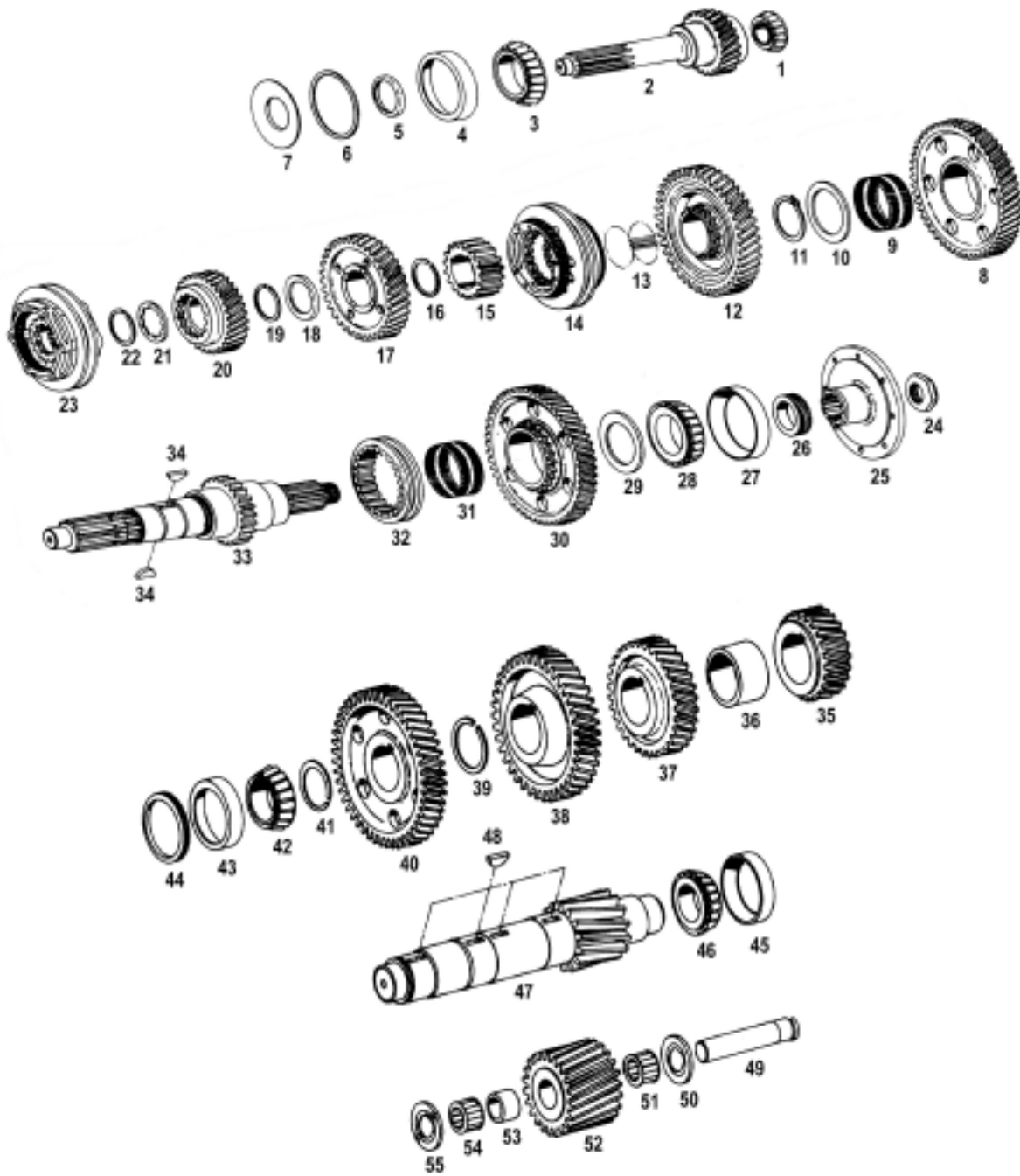


# CM50



PARTS LISTED IN THIS CATALOG ARE NOT NECESSARILY MANUFACTURED BY THE ORIGINAL EQUIPMENT MANUFACTURER AND ANY REFERENCE TO THE TRADEMARKS OR PART NUMBERS OF OTHERS ARE FOR CROSS REFERENCE INFORMATIONAL PURPOSES ONLY. THE TRADEMARKS OF OTHERS REFERRED TO HEREIN ARE OWNED BY THEIR RESPECTIVE COMPANIES AND ARE NOT AFFILIATED IN ANY WAY WITH MIDWEST TRUCK AND AUTO PARTS, INC.™ MOTIVE GEAR® AND WORLD AMERICAN® ARE THE REGISTERED TRADEMARKS OF MIDWEST TRUCK AND AUTO PARTS, INC.™ NO REPRESENTATION IS MADE WITH RESPECT TO THE SOURCE OF MANUFACTURE OF ANY PARTICULAR PART. © 2005, MIDWEST TRUCK AND AUTO PARTS, INC.™ ALL RIGHTS RESERVED.

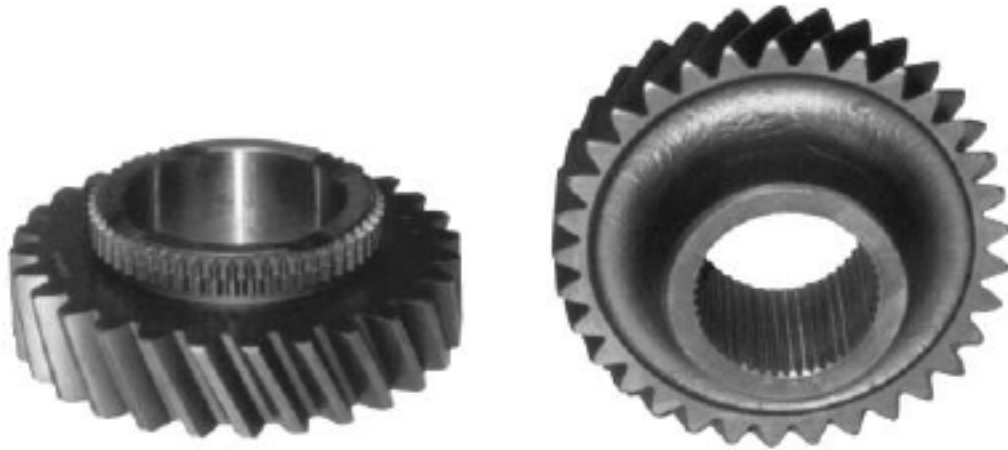
# SPICER® CM50, 5000 SERIES

FIGURE	DESCRIPTION	OEM NO.	WORLD AMERICAN #
1	BEARING	550931	550931
2	MAIN DRIVE GEAR	46-35-36	46-35-36
	MAIN DRIVE GEAR	46-35-36G	46-35-36G
	MAIN DRIVE GEAR (23T) - 1.5"	46-35-84	46-35-84
	MAIN DRIVE GEAR (24T) - 1.5" - 47-35-3-1X	47-35-32	47-35-32
	MAIN DRIVE GEAR (23T) - 1.5" - 47-35-1-1X / 47-35-30-1X	53-35-1	53-35-1
	MAIN DRIVE GEAR (24T) - 1.75" - 47-35-42-1X / 47-35-18-1X	53-35-14	53-35-14
	MAIN DRIVE GEAR (24T) - 1.5" - 47-35-43-1X / 47-35-19-1X	53-35-15	53-35-15
	MAIN DRIVE GEAR (24T) - 1.5" - 47-35-21-1X / 47-35-28-1X	53-35-19	53-35-19
	MAIN DRIVE GEAR (23T) - 1.75" - 47-35-37-1X / 47-35-12-1X	53-35-2	53-35-2
	MAIN DRIVE GEAR (23T) - 1.5" - 47-35-20-1X / 47-35-27-1X	53-35-9	53-35-9
3	BEARING	550930	550930
4	BEARING	550929	550929
5	OIL BAFFLE	47-468-2	47-468-2
7	OIL BAFFLE	47-468-1	47-468-1
8	M/S 1ST & REV. SLIDING	46-8-37	46-8-37R
	M/S 1ST & REV. SLIDING	47-8-1	47-8-1
9	BEARING	550932	550932
10	WASHER	330866	330866
11	SNAP RING	27-381-5	27-381-5
12	M/S 2ND GEAR (46T) 5852, 5852B, 5853, 5853A	46-8-26	46-8-26
	M/S 2ND GEAR (45T)	46-8-31	46-8-31R
	M/S 2ND GEAR (47T) 5652A, 5652B	46-8-41	46-8-41
	M/S 2ND GEAR (45T) 5052A, 5052D, 5252A	47-8-3	47-8-3
	M/S 2ND GEAR (47T) 5052B, 5052C	47-8-6	47-8-6
13	SPACER N.R BEARING	47-37-5	59-482-1-1X
14	2/3 SYNCHRONIZER	8072X	8072XR
15	CLUTCH 2ND & 3RD	46-466-9	46-466-9
16	SNAP RING	46-381-1	46-381-1
17	M/S 3RD GEAR (37/18T) 5652, 5752, 5853, 5853B	46-8-19	46-8-19
	M/S 3RD GEAR (40/18T) 5652A, 5852B	46-8-35	46-8-35R
	M/S 3RD GEAR (37/18T) 5052A	46-8-82	46-8-82
	M/S 3RD GEAR (38/18T) 5052C	46-8-87	46-8-87R
	M/S 3RD GEAR (35/18T) 5052D, 5252A	46-8-93	46-8-93R
	M/S 3RD GEAR (40/18T) 5052B	46-8-95	46-8-95
18	THRUST WASHER	330818	330818
19	SNAP RING W/ THRUST WASHER	46-381-2	46-381-2
20	M/S 4TH GEAR (31/15T) 5652A, 5752, 5752A	46-8-39	46-8-39
	M/S 4TH GEAR (29/15T) FOR 5052A, 5052C	46-8-84	46-8-84
	M/S 4TH GEAR (31/15T) FOR 5052B	46-8-89	46-8-89
	M/S 4TH GEAR (27/15T) FOR 5052D, 5252A	46-8-96	46-8-96R
21	THRUST WASHER	1016W	1016W
22	SNAP RING	46-381-2	46-381-2
23	4/5 SYNCHRONIZER	312764X	312764XR
24	NUT (501200 OR 500729)	263-90	263-90
27	BEARING	550929	550929
28	BEARING	550930	550930
29	WASHER	330867	330867
30	REVERSE GEAR (52T)	47-8-5	47-8-5R
31	BEARING	550932	F81205
32	M/S COLLAR 1ST & REV	47-465-1	47-465-1
33	MAINSHAFT - 5000 SERIES	46-362-20	46-362-20
	MAINSHAFT (USE BUSHING) - 5000 SERIES	46-362-21	46-362-21
	MAINSHAFT - ONLY CM50	47-362-1	47-362-1
34	M/S KEY	47-210-1	47-210-1
35	C/S 2ND GEAR (24T) 5652, 5752, 5752A, 5752C, 5753	46-196-11	46-196-11R
	C/S 2ND GEAR (22T) 5652A, 5652B	46-196-37	46-196-37
36	SPACER	46-37-5	46-37-5
37	C/S 3RD GEAR (32T) 5652, 5752, 5853, 5853B	46-196-13	46-196-13
	C/S 3RD GEAR (34T) 5752A, 5752C, 5753, 5753A	46-196-17	46-196-17
	C/S 3RD GEAR (31T) 5652B, 5852, 5852A	46-196-21	46-196-21
	C/S 3RD GEAR (30T) 5652A, 5852B	46-196-29	46-196-29
38	C/S 4TH GEAR (39T) 5652A, 5752, 5752A	46-196-35	46-196-35
	C/S 4TH GEAR (41T) 5652, 5652B	46-196-38	46-196-38
	C/S 4TH GEAR (43T) 5756B	46-196-40	46-196-40R
39	SNAP RING	82-381-1	82-381-1

PARTS LISTED IN THIS CATALOG ARE NOT NECESSARILY MANUFACTURED BY THE ORIGINAL EQUIPMENT MANUFACTURER AND ANY REFERENCE TO THE TRADEMARKS OR PART NUMBERS OF OTHERS ARE FOR CROSS REFERENCE INFORMATIONAL PURPOSES ONLY. THE TRADEMARKS OF OTHERS REFERRED TO HEREIN ARE OWNED BY THEIR RESPECTIVE COMPANIES AND ARE NOT AFFILIATED IN ANY WAY WITH MIDWEST TRUCK AND AUTO PARTS, INC.™ MOTIVE GEAR® AND WORLD AMERICAN® ARE THE REGISTERED TRADEMARKS OF MIDWEST TRUCK AND AUTO PARTS, INC.™ NO REPRESENTATION IS MADE WITH RESPECT TO THE SOURCE OF MANUFACTURE OF ANY PARTICULAR PART. © 2005, MIDWEST TRUCK AND AUTO PARTS, INC.™ ALL RIGHTS RESERVED.

# SPICER® CM-50, 5000 SERIES (cont'd)

FIGURE	DESCRIPTION	OEM NO.	WORLD AMERICAN #
40	C/S DRIVE GEAR (47T) 5052 A, B, C, D	47-1-1	47-1-1R
	C/S DRIVE GEAR (45T) 5052 A, B, C, 55HD	47-1-3	47-1-3
41	SNAP RING	46-381-1	46-391-1
42	BEARING	550927	25584
43	BEARING	550375	550375
44	SPACER	47-37-3	47-37-3
45	BEARING	550375	550375
46	BEARING	550927	25584
47	COUNTERSHAFT (W/ SNAP RING) 5000 SERIES	46-30-12	46-30-12
	COUNTERSHAFT (W/ SNAP RING) ONLY CM50	47-30-1	47-30-1
48	C/S KEY	500008-37	500008-37
49	REV. SHAFT	46-60-2	46-60-2
	REV. SHAFT	63-60-1	63-60-1
50	THRUST WASHER	974W	974W
51	BEARING	550886	WJ162116
52	REVERSE GEAR	47-5-1	47-5-1
53	SPACER	97-37-1	97-37-1
54	BEARING	550886	WJ162116
55	THRUST WASHER	974W	974W
N/A	GASKET KIT	312475-4X	312475-4X
N/A	SMALL PARTS KIT	312477-4X	312477-4X
N/A	M.D GEAR KIT	313240-3X	313240-3X
N/A	BUSHING W/ MAINSHAFT 46-362-20	46-37-6	46-37-6
N/A	M/S KEY	500010-2	500010-2
N/A	COTTER PIN 5756B, 5853A, 5853C	500024-13	500024-13



PARTS LISTED IN THIS CATALOG ARE NOT NECESSARILY MANUFACTURED BY THE ORIGINAL EQUIPMENT MANUFACTURER AND ANY REFERENCE TO THE TRADEMARKS OR PART NUMBERS OF OTHERS ARE FOR CROSS REFERENCE INFORMATIONAL PURPOSES ONLY. THE TRADEMARKS OF OTHERS REFERRED TO HEREIN ARE OWNED BY THEIR RESPECTIVE COMPANIES AND ARE NOT AFFILIATED IN ANY WAY WITH MIDWEST TRUCK AND AUTO PARTS, INC.™ MOTIVE GEAR® AND WORLD AMERICAN® ARE THE REGISTERED TRADEMARKS OF MIDWEST TRUCK AND AUTO PARTS, INC.™ NO REPRESENTATION IS MADE WITH RESPECT TO THE SOURCE OF MANUFACTURE OF ANY PARTICULAR PART. © 2005, MIDWEST TRUCK AND AUTO PARTS, INC.™ ALL RIGHTS RESERVED.