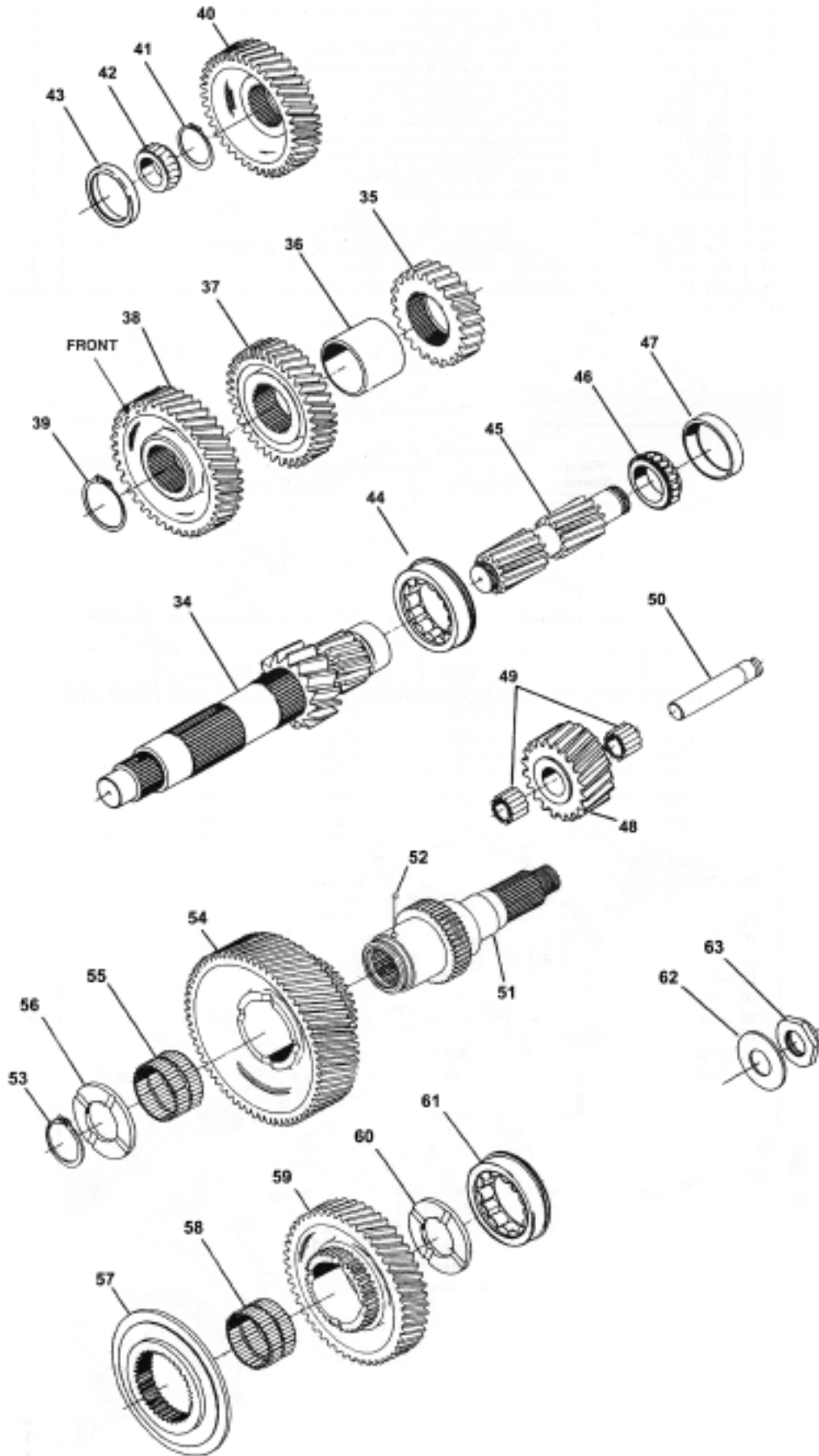


ES52-7B/ESO66-7B



PARTS LISTED IN THIS CATALOG ARE NOT NECESSARILY MANUFACTURED BY THE ORIGINAL EQUIPMENT MANUFACTURER AND ANY REFERENCE TO THE TRADEMARKS OR PART NUMBERS OF OTHERS ARE FOR CROSS REFERENCE INFORMATIONAL PURPOSES ONLY. THE TRADEMARKS OF OTHERS REFERRED TO HEREIN ARE OWNED BY THEIR RESPECTIVE COMPANIES AND ARE NOT AFFILIATED IN ANY WAY WITH MIDWEST TRUCK AND AUTO PARTS, INC.™ MOTIVE GEAR® AND WORLD AMERICAN® ARE THE REGISTERED TRADEMARKS OF MIDWEST TRUCK AND AUTO PARTS, INC.™ NO REPRESENTATION IS MADE WITH RESPECT TO THE SOURCE OF MANUFACTURE OF ANY PARTICULAR PART. © 2005, MIDWEST TRUCK AND AUTO PARTS, INC.™ ALL RIGHTS RESERVED.

SPICER® ES52-7B/ESO66-7B

FIGURE	OEM#	WORLD AMERICAN#	DESCRIPTION
1	101-35-4-1X	101-35-4-1X	DRIVE GEAR - 25T, 9.89", 1.750" - 10 Spl .9837"
2	82-381-2	82-381-2	SNAP RING
3	101-468-2	101-468-2	OIL RING
4	101-468-1	101-468-1	BAFFLE - OIL
5	550986	550986	BEARING - MAINSHAFT POCKET
6	101-482-1	101-482-1	BEARING - DRIVE GEAR
7	101-362-7-1X	101-362-7-1X	MAINSHAFT SUB-ASSEMBLY
	101-362-6-1X	101-362-6-1X	MAINSHAFT SUB-ASSEMBLY
8	500566-5	500566-5	BALL - MAINSHAFT THRUST WASHER
9	82-381-2	82-381-2	SNAP RING - COUNTERSHAFT DRIVE GEAR
10	101-482-1	101-482-1	BEARING - INTERMEDIATE SHAFT
11	101-464-3X	F208323	SYNCHRONIZER - 2ND & 3RD MAINSHAFT
	313777X	313777X	SYNCHRONIZER - 2ND & 3RD MAINSHAFT
12	550991	550991	BEARING - 2ND SPEED NEEDLE
13	101-8-26	101-8-26	GEAR - 2ND SPEED MAINSHAFT (35T)
14	101-47-6	101-47-6	WASHER - 2ND SPEED THRUST
15	101-8-28	101-8-28	GEAR - 3RD SPEED MAINSHAFT (29T)
	101-8-10	101-8-10	GEAR - 3RD SPEED MAINSHAFT (29T)
16	550991	F208323	BEARING - 3RD SPEED NEEDLE
17	101-47-2	101-47-2	WASHER - 3RD & 4TH SPEED THRUST
18	101-381-2	101-381-2	SNAP RING - 3RD & 4TH SPEED THRUST WASHER
19	551005	551005	BEARING - 4TH SPEED NEEDLE
20	551006	551006	BEARING - 4TH SPEED NEEDLE
21	101-8-25	101-8-25	GEAR - 4TH SPEED MAINSHAFT (30T)
	101-8-8	101-8-8	GEAR - 4TH SPEED MAINSHAFT (30T)
22	101-466-7	101-466-7	GEAR - 4TH & 5TH MAINSHAFT CLUTCH
	101-466-4	101-466-4	GEAR - 4TH & 5TH MAINSHAFT CLUTCH
23	40-381-4	40-381-4	SNAP RING - 4TH & 5TH CLUTCH GEAR
24	101-464-2X	101-464-2X	SYNCHRONIZER - 4TH & 5TH MAINSHAFT
	313776X	313776XR	SYNCHRONIZER - 4TH & 5TH MAINSHAFT
25	101-8-24	101-8-24	GEAR - 5TH SPEED MAINSHAFT (30T)
	101-8-6	101-8-6	GEAR - 5TH SPEED MAINSHAFT (30T)
26	551004	K55X63X20	BEARING - 5TH SPEED NEEDLE
27	101-47-1	101-47-1	WASHER - 5TH & 6TH SPEED THRUST
28	101-381-1	101-381-1	SNAP RING - 5TH & 6TH SPEED THRUST WASHER
29	101-8-23	101-8-23	GEAR - 6TH SPEED MAINSHAFT ES52-7B (25T)
	101-8-2	101-8-2	GEAR - 6TH SPEED MAINSHAFT ES52-7B (25T)
	101-8-22	101-8-22	GEAR - 7TH SPEED MAINSHAFT ESO66-7B (22T)
	101-8-21	101-8-21	GEAR - 7TH SPEED MAINSHAFT ESO66-7B (22T)
30	551003	K47X53X25A	BEARING - 6TH SPEED NEEDLE
31	101-464-1X	101-464-1X	SYNCHRONIZER - 6TH & 7TH MAINSHAFT
	313775X	313775XR	SYNCHRONIZER - 6TH & 7TH MAINSHAFT
32	49-466-4	49-466-4	GEAR - 6TH & 7TH MAINSHAFT CLUTCH
	101-466-2	101-466-2	GEAR - 6TH & 7TH MAINSHAFT CLUTCH
33	40-381-1	40-381-1	SNAP RING - 6TH & 7TH CLUTCH GEAR

PARTS LISTED IN THIS CATALOG ARE NOT NECESSARILY MANUFACTURED BY THE ORIGINAL EQUIPMENT MANUFACTURER AND ANY REFERENCE TO THE TRADEMARKS OR PART NUMBERS OF OTHERS ARE FOR CROSS REFERENCE INFORMATIONAL PURPOSES ONLY. THE TRADEMARKS OF OTHERS REFERRED TO HEREIN ARE OWNED BY THEIR RESPECTIVE COMPANIES AND ARE NOT AFFILIATED IN ANY WAY WITH MIDWEST TRUCK AND AUTO PARTS, INC.™ MOTIVE GEAR® AND WORLD AMERICAN® ARE THE REGISTERED TRADEMARKS OF MIDWEST TRUCK AND AUTO PARTS, INC.™ NO REPRESENTATION IS MADE WITH RESPECT TO THE SOURCE OF MANUFACTURE OF ANY PARTICULAR PART. © 2005, MIDWEST TRUCK AND AUTO PARTS, INC.™ ALL RIGHTS RESERVED.

SPICER® ES52-7B/ESO66-7B (cont'd)

FIGURE	OEM#	WORLD AMERICAN#	DESCRIPTION
34	101-30-2-1X	101-30-2-1X	COUNTERSHAFT - FRONT (16T/12T)
35	101-196-8	101-196-8	GEAR - 4TH SPEED COUNTERSHAFT - FRONT (24T)
36	101-37-1	101-37-1	SPACER - 4TH & 5TH COUNTERSHAFT - FRONT
37	101-196-6	101-196-6	GEAR - 5TH SPEED COUNTERSHAFT - FRONT (34T)
38	101-196-2	101-196-2	GEAR - 6TH SPEED COUNTERSHAFT - FRONT (38T) ES52-7B
	101-196-9	101-196-9	GEAR - 6TH SPEED COUNTERSHAFT - FRONT (45T) ESO66-7B
39	27-381-5	27-381-5	RING - SNAP 6TH SPEED COUNTERSHAFT - FRONT
40	101-1-5	101-1-5	GEAR - HEAD END DRIVE COUNTERSHAFT - FRONT (45T) - ES52-7B
	101-1-4	101-1-4	GEAR - HEAD END DRIVE COUNTERSHAFT - FRONT (38T) - ESO66-7B
41	40-381-3	40-381-3	RING - SNAP COUNTERSHAFT HEAD END GEAR
42	550868	550868	BEARING - CONE COUNTERSHAFT - FRONT
43	550978	550978	BEARING - CUP COUNTERSHAFT FRONT
44	551007	551007	BEARING - INTERMEDIATE COUNTERSHAFT FRONT
45	101-30-4	101-30-4	COUNTERSHAFT - REAR (WITH PTO DRIVE) (13T/13T)
46	550868	550868	BEARING - CONE COUNTERSHAFT - REAR
47	550978	550978	BEARING - CUP COUNTERSHAFT - REAR
48	101-5-2	101-5-2	GEAR - REVERSE IDLER (31T)
49	550886	WJ162116	BEARING - REVERSE IDLER
50	63-60-1	63-60-1	SHAFT - REVERSE IDLER
51	101-362-5-1X	101-362-5-1X	MAINSHAFT SUB-ASSEMBLY
52	500566-5	500566-5	BALL - THRUST WASHER
53	101-381-4	101-381-4	RING - SNAP 1ST SPEED THRUST WASHER
54	101-8-14	101-8-14	GEAR - 1ST SPEED MAINSHAFT GEAR (64T)
55	550991	F208323	BEARING - 1ST SPEED NEEDLE
56	101-47-5	101-47-5	WASHER - 1ST SPEED THRUST
57	101-465-7	101-465-7	COLLAR - 1ST & REVERSE CLUTCH
58	550991	F208323	BEARING - REVERSE MAINSHAFT NEEDLE
59	101-8-16	101-8-16	GEAR - REVERSE MAINSHAFT - REAR (57T)
60	101-47-4	101-47-4	WASHER - THRUST REVERSE GEAR
61	550989	1211L	BEARING - MAINSHAFT REAR
62	53-205-1	53-205-1	WASHER - MAINSHAFT NUT - REAR
63	501200	501200	NUT - MAINSHAFT - REAR (1.250" -18)

PARTS LISTED IN THIS CATALOG ARE NOT NECESSARILY MANUFACTURED BY THE ORIGINAL EQUIPMENT MANUFACTURER AND ANY REFERENCE TO THE TRADEMARKS OR PART NUMBERS OF OTHERS ARE FOR CROSS REFERENCE INFORMATIONAL PURPOSES ONLY. THE TRADEMARKS OF OTHERS REFERRED TO HEREIN ARE OWNED BY THEIR RESPECTIVE COMPANIES AND ARE NOT AFFILIATED IN ANY WAY WITH MIDWEST TRUCK AND AUTO PARTS, INC.™ MOTIVE GEAR® AND WORLD AMERICAN® ARE THE REGISTERED TRADEMARKS OF MIDWEST TRUCK AND AUTO PARTS, INC.™ NO REPRESENTATION IS MADE WITH RESPECT TO THE SOURCE OF MANUFACTURE OF ANY PARTICULAR PART. © 2005, MIDWEST TRUCK AND AUTO PARTS, INC.™ ALL RIGHTS RESERVED.