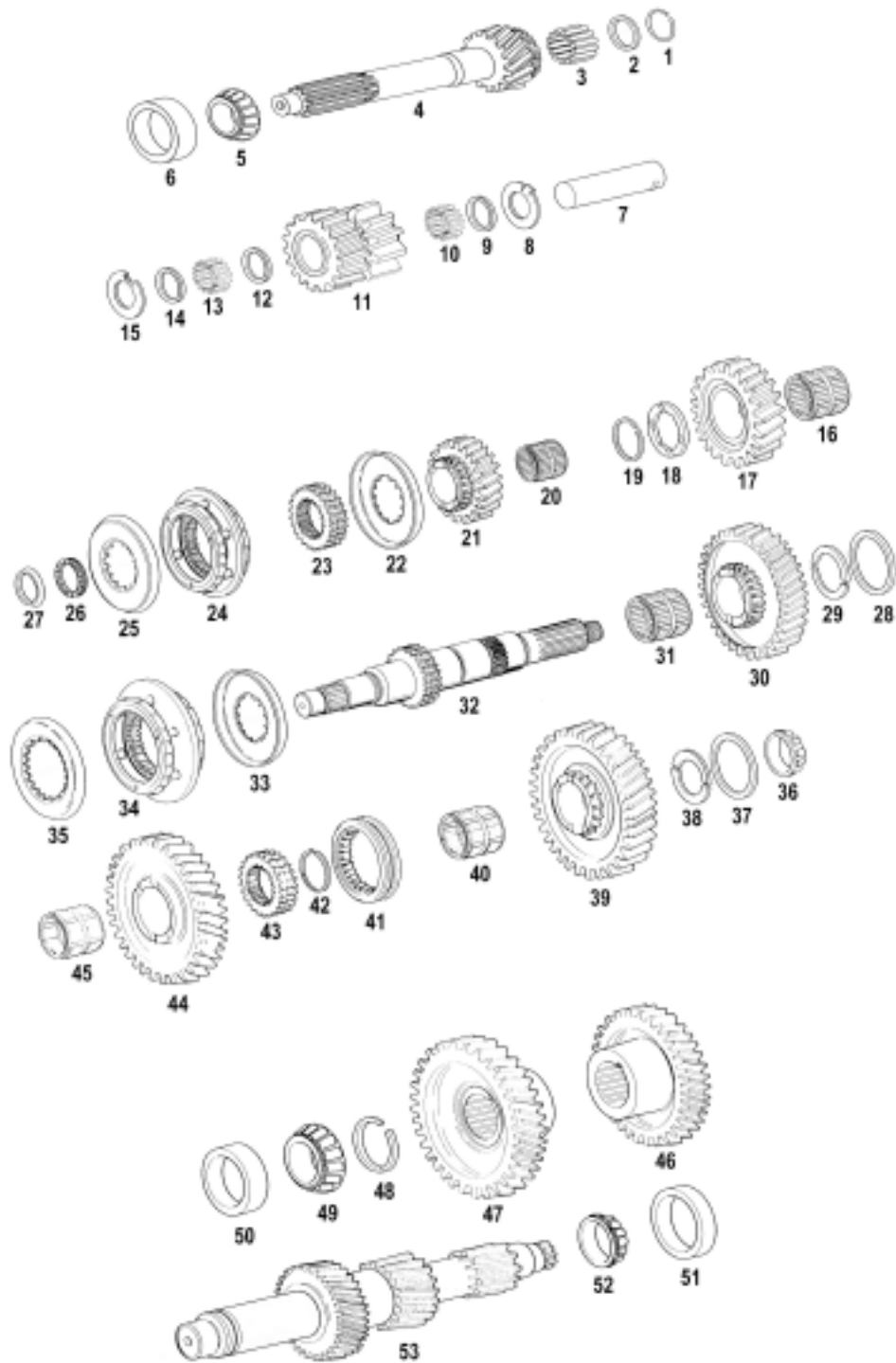


FS5205



PARTS LISTED IN THIS CATALOG ARE NOT NECESSARILY MANUFACTURED BY THE ORIGINAL EQUIPMENT MANUFACTURER AND ANY REFERENCE TO THE TRADEMARKS OR PART NUMBERS OF OTHERS ARE FOR CROSS REFERENCE INFORMATIONAL PURPOSES ONLY. THE TRADEMARKS OF OTHERS REFERRED TO HEREIN ARE OWNED BY THEIR RESPECTIVE COMPANIES AND ARE NOT AFFILIATED IN ANY WAY WITH MIDWEST TRUCK AND AUTO PARTS, INC.™ MOTIVE GEAR® AND WORLD AMERICAN® ARE THE REGISTERED TRADEMARKS OF MIDWEST TRUCK AND AUTO PARTS, INC.™ NO REPRESENTATION IS MADE WITH RESPECT TO THE SOURCE OF MANUFACTURE OF ANY PARTICULAR PART. © 2005, MIDWEST TRUCK AND AUTO PARTS, INC.™ ALL RIGHTS RESERVED.

EATON/FULLER® FS5205 SERIES

FIGURE	DESCRIPTION	OEM#	WORLD AMERICAN #
1	SNAP RING	235416	235416
2	WASHER	235415	235415
3	NEEDLE BEARING (14)	235414	235414
4	MAIN DRIVE GEAR (A)	4301825	4301825
5	BEARING CONE	1314773	M802048
	BEARING CONE	235418	M804049
6	BEARING CUP	1314774	M802011
	BEARING CUP	235417	M804010
7	IDLER SHAFT	203609	WT215-35B
8	WASHER	240023	240023
9	SPACER	235413	235413
10	NEEDLE BEARING	235412	QA47838
11	IDLER GEAR	235392	WT2326-10
12	SPACER	235413	235413
13	NEEDLE BEARING	235412	QA47838
14	SPACER	235413	235413
15	WASHER	240023	240023
16	BEARING (A, B)	239653	F94490
17	M/S 3RD GEAR (A, B)	4301686	4301686
	M/S 3RD GEAR (C)	4301776	4301776
18	WASHER	23017	23017
19	RETAINING RING	224069	224069
20	BEARING	239651	F94488
21	M/S 4TH GEAR (A, B)	4301685	K3303
	REPLACE BY M/S 4TH GEAR (K3303)	4303904	4303904
	M/S 4TH GEAR (C)	4301774	4301774
	REPLACE BY M/S 4TH GEAR	4303905	4303905
	*K3303 = TC5205-11M (4303689/4303904)		
22	4/5 SYNCHRONIZER CUP	4301565	4301565
23	CLUTCH HUB 4/5	4301534	4303689
	REPLACE BY CLUTCH HUB 4/5	4303689	4301534
24	4/5 SYNCHRONIZER	A-6144	A6144
25	4/5 SYNCHRONIZER CUP	4301565	4301565
26	BEARING (FA35688)	235382	FA35688
27	BEARING RACE	235383	TR235383
28	OIL SEAL	235379	235379
29	SPLIT WASHER (2)	235378	235378
30	M/S 2ND GEAR	4301687	4301687
31	BEARING (A, B)	239653	F94490
32	MAINSHAFT	4301684	4301684
33	2/3 SYNCHRONIZER CUP	4301467	4301467
34	2/3 SYNCHRONIZER	A-6137	A6137
35	2/3 SYNCHRONIZER CUP	4301467	4301467
36	BEARING CONE	237337	237337
37	SNAP RING	235372	235372
38	WASHER	235372	235372
39	M/S 1ST GEAR	4301788	4301788
40	BEARING	239818	F84003
	BEARING CONE	791943	25590
41	SLIDING CLUTCH	4301712	4301712
42	SNAP RING	235372	235372
43	HUB GEAR 1ST/REV	4301706	4301706
44	M/S REVERSE GEAR	4301689	4301689
45	BEARING (A, B)	239653	F94490
46	C/S 4TH GEAR (A, B)	4301691	4301691
	C/S 4TH GEAR (C)	4301775	4301775
47	C/S 5TH GEAR (A, B)	4301181	4301181
	C/S 5TH GEAR (B, C)	4301182	4301182
48	SNAP RING	224024	224024
49	BEARING CONE	791943	25590
50	BEARING CUP	654166	654166
51	BEARING CUP	654166	654166
52	BEARING CONE	791943	25590
53	COUNTERSHAFT (A)	4301185	4301185
	COUNTERSHAFT (C)	4301187	4301187
N/A	BEARING REPAIR KIT	K-7032	K7032
N/A	BEARING REPAIR KIT	K-7034	K7034
N/A	STEEL BALL (2)	10J06	10J06
N/A	SMALL PARTS KIT	K-7031	K7031
N/A	GASKET KIT	K-2143	K2143

PARTS LISTED IN THIS CATALOG ARE NOT NECESSARILY MANUFACTURED BY THE ORIGINAL EQUIPMENT MANUFACTURER AND ANY REFERENCE TO THE TRADEMARKS OR PART NUMBERS OF OTHERS ARE FOR CROSS REFERENCE INFORMATIONAL PURPOSES ONLY. THE TRADEMARKS OF OTHERS REFERRED TO HEREIN ARE OWNED BY THEIR RESPECTIVE COMPANIES AND ARE NOT AFFILIATED IN ANY WAY WITH MIDWEST TRUCK AND AUTO PARTS, INC.™ MOTIVE GEAR® AND WORLD AMERICAN® ARE THE REGISTERED TRADEMARKS OF MIDWEST TRUCK AND AUTO PARTS, INC.™ NO REPRESENTATION IS MADE WITH RESPECT TO THE SOURCE OF MANUFACTURE OF ANY PARTICULAR PART. © 2005, MIDWEST TRUCK AND AUTO PARTS, INC.™ ALL RIGHTS RESERVED.