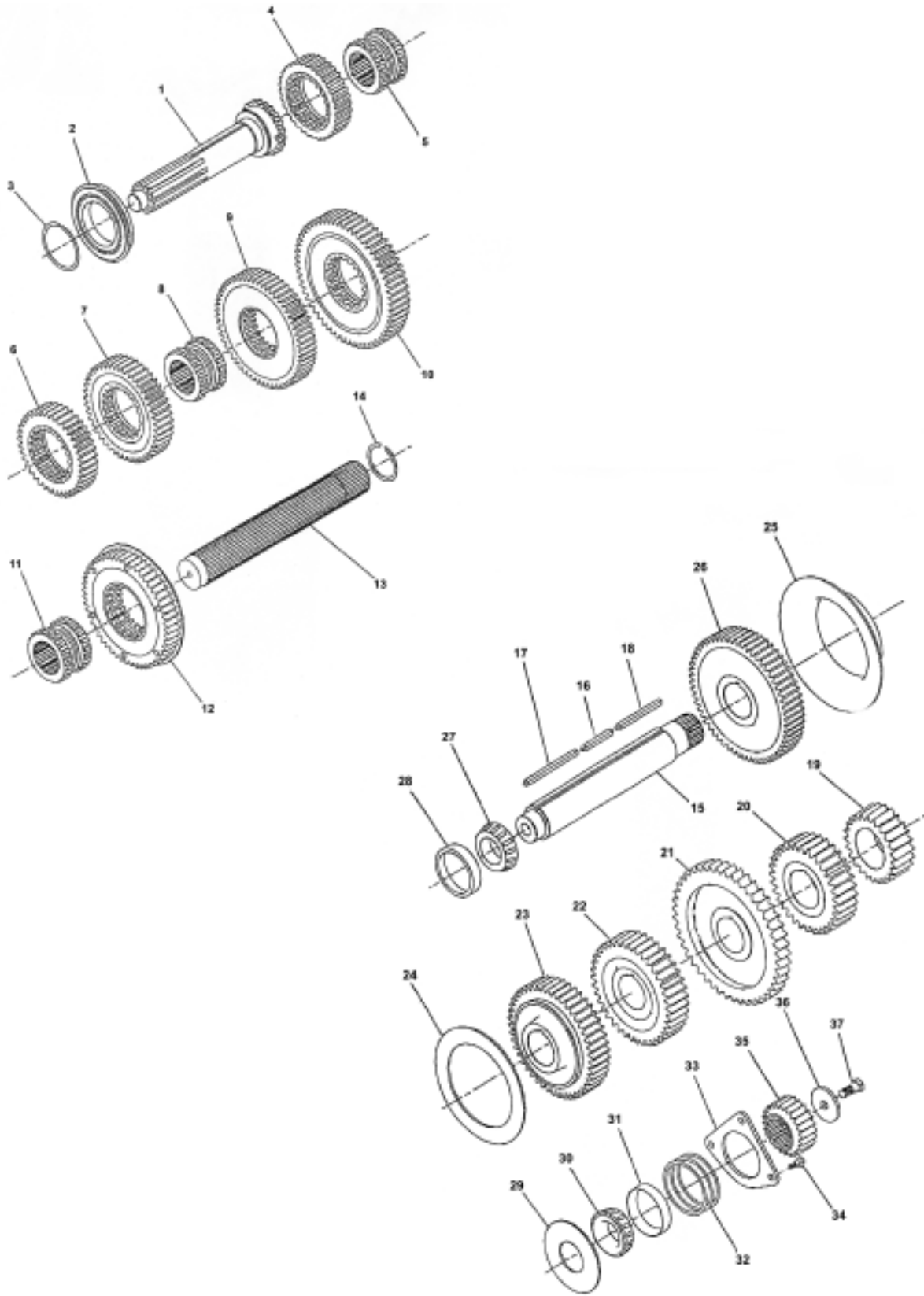
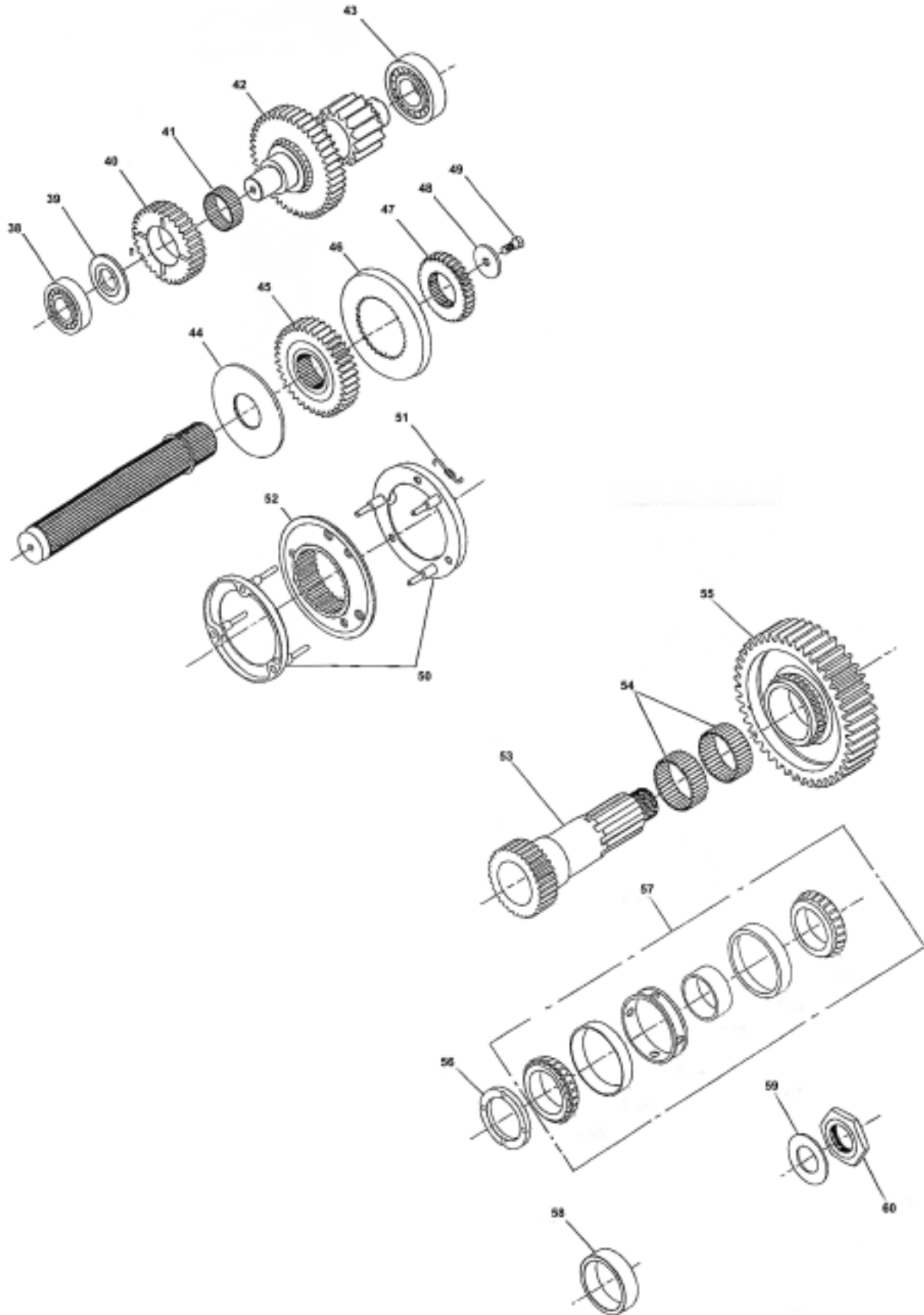


# SPICER PS125-9A & PSO140-9A



PARTS LISTED IN THIS CATALOG ARE NOT NECESSARILY MANUFACTURED BY THE ORIGINAL EQUIPMENT MANUFACTURER AND ANY REFERENCE TO THE TRADEMARKS OR PART NUMBERS OF OTHERS ARE FOR CROSS REFERENCE INFORMATIONAL PURPOSES ONLY. THE TRADEMARKS OF OTHERS REFERRED TO HEREIN ARE OWNED BY THEIR RESPECTIVE COMPANIES AND ARE NOT AFFILIATED IN ANY WAY WITH MIDWEST TRUCK AND AUTO PARTS, INC.™ MOTIVE GEAR® AND WORLD AMERICAN® ARE THE REGISTERED TRADEMARKS OF MIDWEST TRUCK AND AUTO PARTS, INC.™ NO REPRESENTATION IS MADE WITH RESPECT TO THE SOURCE OF MANUFACTURE OF ANY PARTICULAR PART. © 2005, MIDWEST TRUCK AND AUTO PARTS, INC.™ ALL RIGHTS RESERVED.

# SPICER PS125-9A & PSO140-9A



PARTS LISTED IN THIS CATALOG ARE NOT NECESSARILY MANUFACTURED BY THE ORIGINAL EQUIPMENT MANUFACTURER AND ANY REFERENCE TO THE TRADEMARKS OR PART NUMBERS OF OTHERS ARE FOR CROSS REFERENCE INFORMATIONAL PURPOSES ONLY. THE TRADEMARKS OF OTHERS REFERRED TO HEREIN ARE OWNED BY THEIR RESPECTIVE COMPANIES AND ARE NOT AFFILIATED IN ANY WAY WITH MIDWEST TRUCK AND AUTO PARTS, INC.™ MOTIVE GEAR® AND WORLD AMERICAN® ARE THE REGISTERED TRADEMARKS OF MIDWEST TRUCK AND AUTO PARTS, INC.™ NO REPRESENTATION IS MADE WITH RESPECT TO THE SOURCE OF MANUFACTURE OF ANY PARTICULAR PART. © 2005, MIDWEST TRUCK AND AUTO PARTS, INC.™ ALL RIGHTS RESERVED.

# SPICER® PS125-9A & PSO140-9A

FIGURE	OEM#	WORLD AMERICAN#	DESCRIPTION
1	201-35-2	201-35-2	SHAFT - INPUT (2.00" - 10 SPL. #306 (1.180" DIA.) PILOT
2	313645X	313645X	S/ASSY - BEARING & BELLEVILLE SNAP RING
3	201-381-1	201-381-1	SNAP RING - INPUT SHAFT
4	201-8-43	201-8-43	GEAR - DRIVE (5TH & 9TH) (40T) (FOR PS125-9A)
	201-8-2	1668533C1	GEAR - DRIVE (5TH & 9TH) (38T) (FOR PSO140-9A)
5	201-465-2	201-465-2R	COLLAR - M/S CLUTCH (4TH, 5TH, 8TH & 9TH) (FOR PS125-9A)
	201-465-5	201-465-5R	COLLAR - M/S CLUTCH (4TH, 5TH, 8TH & 9TH) (FOR PSO140-9A)
6	201-8-2	1668533C1	GEAR - MAINSHAFT (4TH & 8TH) (38T) (FOR PS125-9A)
	201-8-43	201-8-43	GEAR - MAINSHAFT (4TH & 8TH) (40T) (FOR PSO140-9A)
7	201-8-4	201-8-4R	GEAR - MAINSHAFT (3RD & 7TH) (44T)
8	302-465-2	302-465-2	COLLAR - M/S CLUTCH (2ND, 3RD, 6TH & 7TH)
9	201-8-37	201-8-37	GEAR - MAINSHAFT (2ND & 6TH) (58T)
10	201-8-35	201-8-35	GEAR - MAINSHAFT (1ST) (58T)
11	201-465-2	201-465-2R	COLLAR - M/S CLUTCH (1ST & REV.)
12	201-8-10-1X	201-8-10-1X	GEAR - MAINSHAFT REVERSE (INCLUDES THRUST RING & RIVETS)
13	201-362-1-1X	201-362-1-1X	MAINSHAFT
14	201-381-3	201-381-3	SNAP RING - MAINSHAFT DRIVE GEAR - RANGE
15	201-30-14	201-30-14	COUNTERSHAFT - MAIN
16	201-210-4-2	201-210-4-2	KEY - COUNTERSHAFT GEAR - MIDDLE
17	201-210-4-3	201-210-4-3	KEY - COUNTERSHAFT GEAR - FRONT
18	201-210-4-1	201-210-4-1	KEY - COUNTERSHAFT GEAR - REAR
19	201-196-31	201-196-31	GEAR - COUNTERSHAFT (1ST) (24T)
20	201-196-33	201-196-33	GEAR - COUNTERSHAFT (2ND & 6TH) (37T)
21	201-312-3	201-312-3	GEAR - COUNTERSHAFT PTO DRIVE
22	201-196-44	201-196-44	GEAR - COUNTERSHAFT (3RD & 7TH) (39T)
23	201-196-2	201-196-2R	GEAR - COUNTERSHAFT (4TH & 8TH) (46T) (FOR PS125-9A)
	201-196-35	201-196-35	GEAR - COUNTERSHAFT (4TH & 8TH) (65T) (FOR PSO140-9A)
24	201-47-2	201-47-2	RING - COUNTERSHAFT THRUST (FLAT)
25	201-47-5	201-47-5	RING - COUNTERSHAFT H.E. GEAR THRUST
26	201-196-35	201-196-35	GEAR - COUNTERSHAFT H.E. (5TH & 9TH) (65T) (FOR PS125-9A)
	201-196-2	201-196-2R	GEAR - COUNTERSHAFT H.E. (5TH & 9TH) (46T) (FOR PSO140-9A)
27	551013	551013	BEARING - CONE FRONT COUNTERSHAFT
28	550375	550375	BEARING - CUP FRONT COUNTERSHAFT
29	201-47-3	201-47-3	RING - COUNTERSHAFT (1ST) THRUST
30	550182	550182	BEARING - CONE REAR COUNTERSHAFT
31	550375	550375	BEARING - CUP REAR COUNTERSHAFT
32	201-228-1-1	201-228-1-1	SHIM - COUNTERSHAFT REAR BEARING (.005 THICK)
	201-228-1-2	201-228-1-2	SHIM - COUNTERSHAFT REAR BEARING (.010 THICK)
	201-228-1-3	201-228-1-3	SHIM - COUNTERSHAFT REAR BEARING (.015 THICK)
	201-228-1-4	201-228-1-4	SHIM - COUNTERSHAFT REAR BEARING (.020 THICK)
	201-228-1-5	201-228-1-5	SHIM - COUNTERSHAFT REAR BEARING (.030 THICK)
33	201-360-1	201-360-1	PLATE - RETAINER COUNTERSHAFT
34	545002-1	545002-1	SCREW - PLATE RETAINING COUNTERSHAFT
35	201-196-12	201-196-12	GEAR - COUNTERSHAFT REVERSE - RANGE (21T)
36	330952	330952	WASHER - COUNTERSHAFT REVERSE DRIVE GEAR RETAINING
37	545001-5	545001-5	SCREW - REVERSE DRIVE GEAR RETAINING WASHER

PARTS LISTED IN THIS CATALOG ARE NOT NECESSARILY MANUFACTURED BY THE ORIGINAL EQUIPMENT MANUFACTURER AND ANY REFERENCE TO THE TRADEMARKS OR PART NUMBERS OF OTHERS ARE FOR CROSS REFERENCE INFORMATIONAL PURPOSES ONLY. THE TRADEMARKS OF OTHERS REFERRED TO HEREIN ARE OWNED BY THEIR RESPECTIVE COMPANIES AND ARE NOT AFFILIATED IN ANY WAY WITH MIDWEST TRUCK AND AUTO PARTS, INC.™ MOTIVE GEAR® AND WORLD AMERICAN® ARE THE REGISTERED TRADEMARKS OF MIDWEST TRUCK AND AUTO PARTS, INC.™ NO REPRESENTATION IS MADE WITH RESPECT TO THE SOURCE OF MANUFACTURE OF ANY PARTICULAR PART. © 2005, MIDWEST TRUCK AND AUTO PARTS, INC.™ ALL RIGHTS RESERVED.

# SPICER® PS125-9A & PSO140-9A (cont'd)

FIGURE	OEM#	WORLD AMERICAN#	DESCRIPTION
38	550996	550996	BEARING - COUNTERSHAFT FRONT
39	330955	330955	WASHER - COUNTERSHAFT REVERSE IDLER THRUST
40	201-5-2	201-5-2	GEAR - REVERSE IDLER COUNTERSHAFT
41	550997	K55X63X25	BEARING - NEEDLE REVERSE IDLER
42	201-30-18	201-30-18	COUNTERSHAFT S/ASSY. - RANGE
43	550998	550998	BEARING - COUNTERSHAFT REAR
44	201-47-6	201-47-6	RING - THRUST MAINSHAFT DRIVE GEAR
45	201-8-39	201-8-39	GEAR - MAINSHAFT HEAD END (30T)
46	201-494-1	201-494-1	RACE - SYNCHRONIZER OUTER
47	201-466-2	201-466-2R	GEAR - CLUTCH DRIVE (HIGH RANGE)
48	330954	330954	WASHER - MAINSHAFT CLUTCH GEAR RETAINING (HIGH RANGE)
49	545001-5	545001-5	SCREW - CLUTCH GEAR RETAINING WASHER (HIGH RANGE)
50	201-563-1-1X	201-563-1-1X	SYNCHRONIZER - HIGH & LOW
51	201-72-9-1X	201-72-9-1X	KIT - SYNCHRONIZER SPRINGS (INCLUDES (3) SPRINGS)
52	201-465-4	201-465-4	COLLAR - CLUTCH - HIGH & LOW RANGE
53	201-362-3	201-362-3	OUTPUT SHAFT - 10 SPLINE (2.500.0.0)
54	313668-X	313668-X	KIT - NEEDLE BEARING - OUTPUT SHAFT
55	201-8-41	201-8-41	GEAR - OUTPUT - LOW RANGE (52T)
56	201-47-4	201-47-4	WASHER - THRUST OUTPUT SHAFT
57	313628X	313628X	S/ASSY - BEARING AND SPACER OUTPUT SHAFT
58	201-37-6	201-37-6	SPACER - SPEEDOMETER
	201-452-1	201-452-1	ELECTRONIC SPEEDOMETER SIGNAL GEAR (16 GROOVES)
	201-452-2	201-452-2	SPEEDOMETER DRIVE GEAR (4T)
	97-453-1	97-453-1	SPEEDOMETER DRIVEN GEAR (12T)
	201-452-3	201-452-3	SPEEDOMETER DRIVE GEAR (8T)
	97-453-7	97-453-7	SPEEDOMETER DRIVEN GEAR (16T)
59	330734	330734	WASHER - OUTPUT SHAFT NUT
60	545065	545065	NUT - OUTPUT SHAFT (1.75" - 16 UNEF-3B)

PARTS LISTED IN THIS CATALOG ARE NOT NECESSARILY MANUFACTURED BY THE ORIGINAL EQUIPMENT MANUFACTURER AND ANY REFERENCE TO THE TRADEMARKS OR PART NUMBERS OF OTHERS ARE FOR CROSS REFERENCE INFORMATIONAL PURPOSES ONLY. THE TRADEMARKS OF OTHERS REFERRED TO HEREIN ARE OWNED BY THEIR RESPECTIVE COMPANIES AND ARE NOT AFFILIATED IN ANY WAY WITH MIDWEST TRUCK AND AUTO PARTS, INC.™ MOTIVE GEAR® AND WORLD AMERICAN® ARE THE REGISTERED TRADEMARKS OF MIDWEST TRUCK AND AUTO PARTS, INC.™ NO REPRESENTATION IS MADE WITH RESPECT TO THE SOURCE OF MANUFACTURE OF ANY PARTICULAR PART. © 2005, MIDWEST TRUCK AND AUTO PARTS, INC.™ ALL RIGHTS RESERVED.